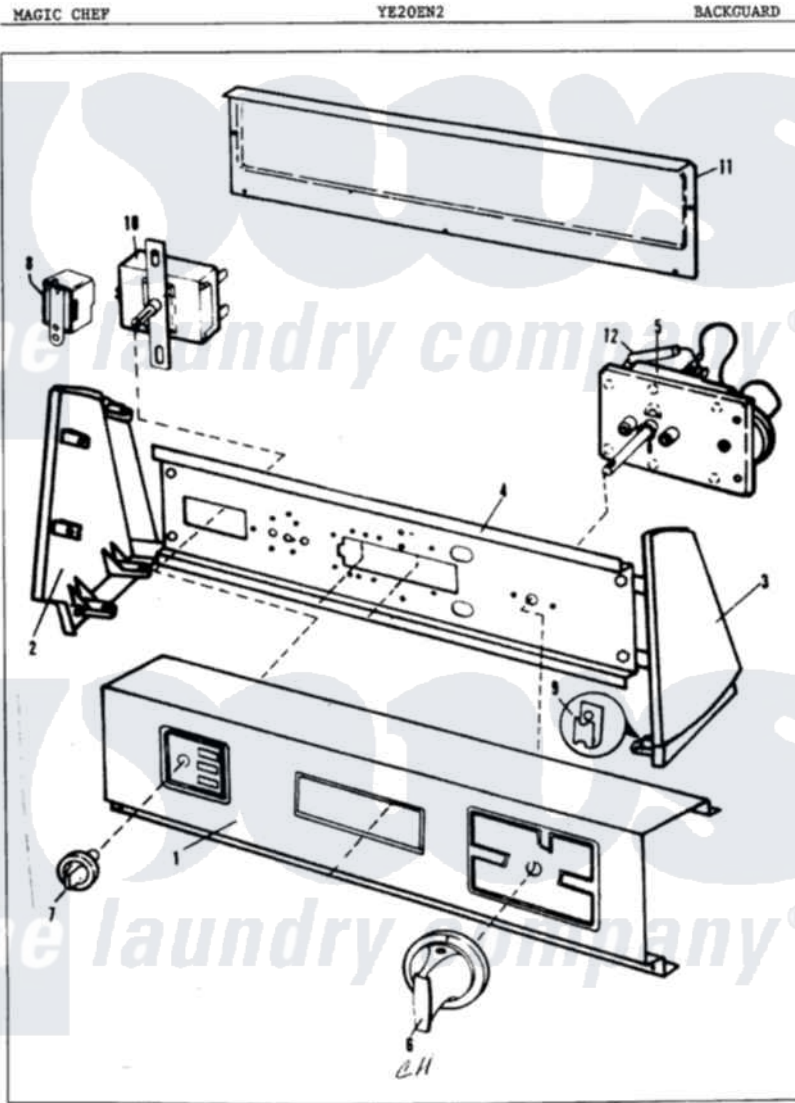


# Magic Chef YE20EA1 03 - BACKGUARD



Magic Chef [Residential Magic Chef YE20EA1 Dryer Parts](#) Parts Diagram 03 - BACKGUARD  
 Click on the part number to view part

Item	Original Part Number	Replaced By	Status	Part Description
1	25-7649	<a href="#">910187</a>		Screw
"	<a href="#">25-7702</a>			Speedclip, End Cap To Control Panel
"	53-0829		Not Available	CONTROL PANEL
2	<a href="#">53-0265</a>			LH Endcap
3	<a href="#">25-7760</a>			Screw
"	<a href="#">53-0264</a>			RH Endcap
"	53-0277		Not Available	TRIM, END CAP (RT)
"	53-0278		Not Available	TRIM, END CAP (LT)
4	25-3092	<a href="#">90767</a>		Screw, 8A X 3/8 HeX Washer Head Tapping
"	<a href="#">25-7702</a>			Speedclip, End Cap To Control Panel
"	53-0365	<a href="#">53-1676</a>		Shield, Control
5	25-0289		Not Available	SCREW
"	<a href="#">53-0662</a>			Timer
"	53-0635		Not Available	TIMER MOTOR

"	53-0496		Not Available	TIMER
6	<a href="#">25-6044</a>			Set Screw
"	53-0495		Not Available	TIMER KNOB
"	53-0653	<a href="#">31001219</a>		Knob Ski
7	35-0168		Not Available	SELECTOR KNOB
8	<a href="#">25-7702</a>			Speedclip, End Cap To Control Panel
9	<a href="#">53-0456</a>			Switch, Selector
"	25-3092	<a href="#">90767</a>		Screw, 8A X 3/8 HeX Washer Head Tapping
10	34-9487		Not Available	PLATE, REINFORCEMENT
"	25-3092	<a href="#">90767</a>		Screw, 8A X 3/8 HeX Washer Head Tapping
"	<a href="#">25-3457</a>			Screw, Sems
"	25-7435	<a href="#">33002917</a>		Screw, No.10-16
"	25-7697	<a href="#">25-2219</a>		Screw
"	<a href="#">25-7852</a>			Speedclip, Rr Shld To End Cap
"	53-0268	<a href="#">21001460</a>		Shield, Rear
"	<a href="#">25-7851</a>			Speedclip, End Cap To Top

