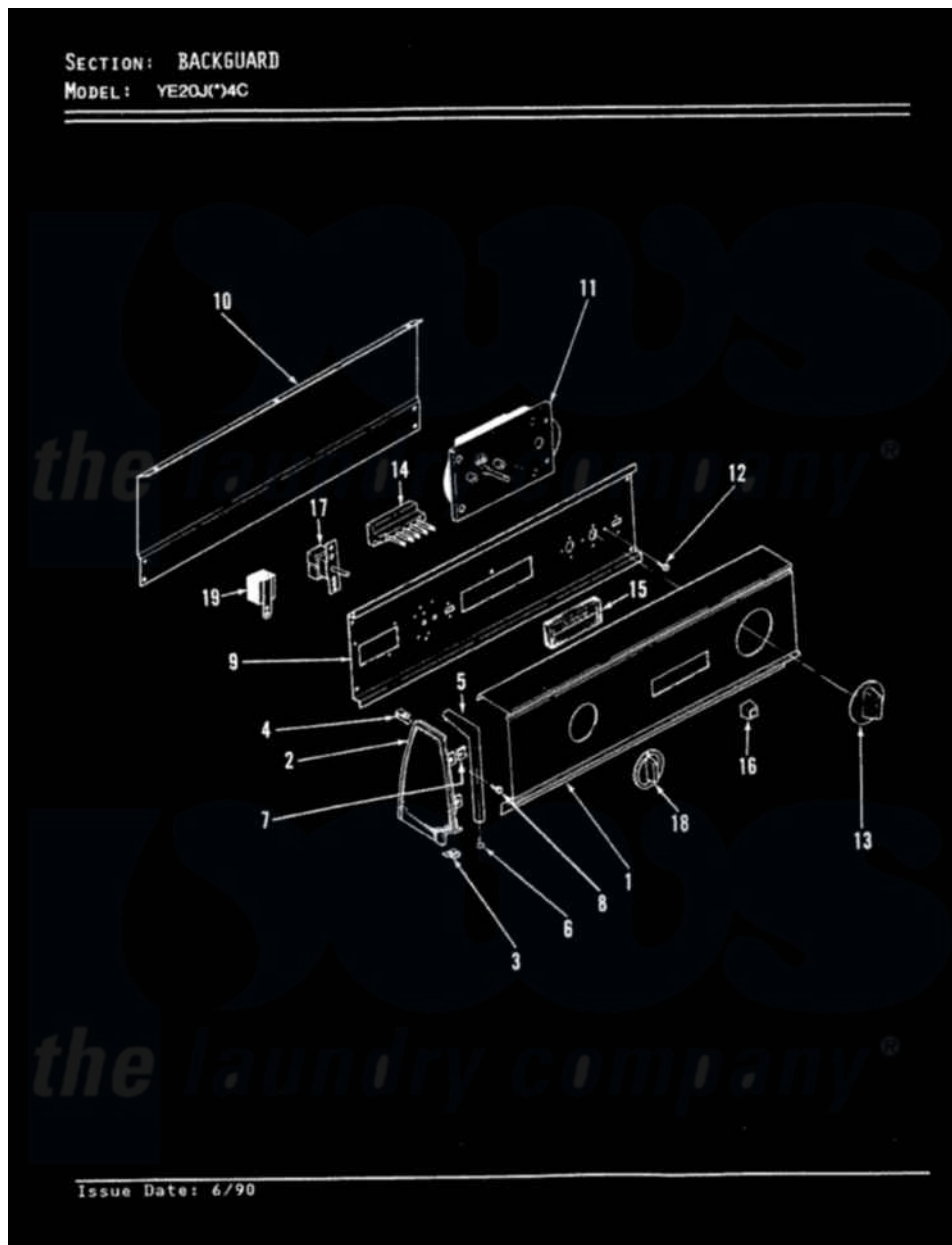


Magic Chef YE20JA4C 01 - CONTROL PANEL



Magic Chef [Residential Magic Chef YE20JA4C Dryer Parts](#) Parts Diagram 01 - CONTROL PANEL
Click on the part number to view part

Item	Original Part Number	Replaced By	Status	Part Description
1	53-1275	53-1821		Control Panel
2	35-2488	21001452		Cap- End
"	25-7649	910187		Screw
"	25-7702			Speedclip, End Cap To Control Panel
"	35-2487	21001451		Cap- End
"	53-0264			RH Endcap
"	53-0265			LH Endcap
3	25-7697	25-2219		Screw
"	25-7851			Speedclip, End Cap To Top
4	25-7435	33002917		Screw, No.10-16
"	25-7852			Speedclip, Rr Shld To End Cap
5	53-0278		Not Available	TRIM, END CAP (LT)
"	53-0277		Not Available	TRIM, END CAP (RT)
6	25-7760			Screw
7	25-7435	33002917		Screw, No.10-16

8	25-3092	90767	Screw, 8A X 3/8 HeX Washer Head Tapping
9	53-0323		Not Available CONTROL SHIELD
"	53-1678		Not Available CONTROL SHIELD
10	35-2688	21001460	Shield, Rear
"	53-0268	21001460	Shield, Rear
"	25-3457		Screw, Sems
11	53-1816		Not Available TIMER
"	53-1362		Timer
"	63-6743	31001484	Resistor Assembly
12	63-5685	63-5613	Timer
"	25-0205	216412	Screw, Bracket To Timer
"	25-7435	33002917	Screw, No.10-16
13	53-1529	31001219	Knob Ski
14	25-3092	90767	Screw, 8A X 3/8 HeX Washer Head Tapping
"	25-7712		Not Available SCREW
"	33-6621		Not Available BRACKET, SWITCH
"	53-1296		Switch
15	33-8541		Not Available SWITCH PAD
16	35-2588		Not Available PUSHBUTTON - BLACK
17	53-1263		Rotary Switch
"	25-3092	90767	Screw, 8A X 3/8 HeX Washer Head Tapping
18	35-2185	21001283	Knob, Selector---Piq
19	63-6731	53-1639	Buzzer Assembly
"	25-3092	90767	Screw, 8A X 3/8 HeX Washer Head Tapping
20	53-1446		Not Available MANUAL, USE & CARE

the laundry company[®]

lows
the laundry company[®]