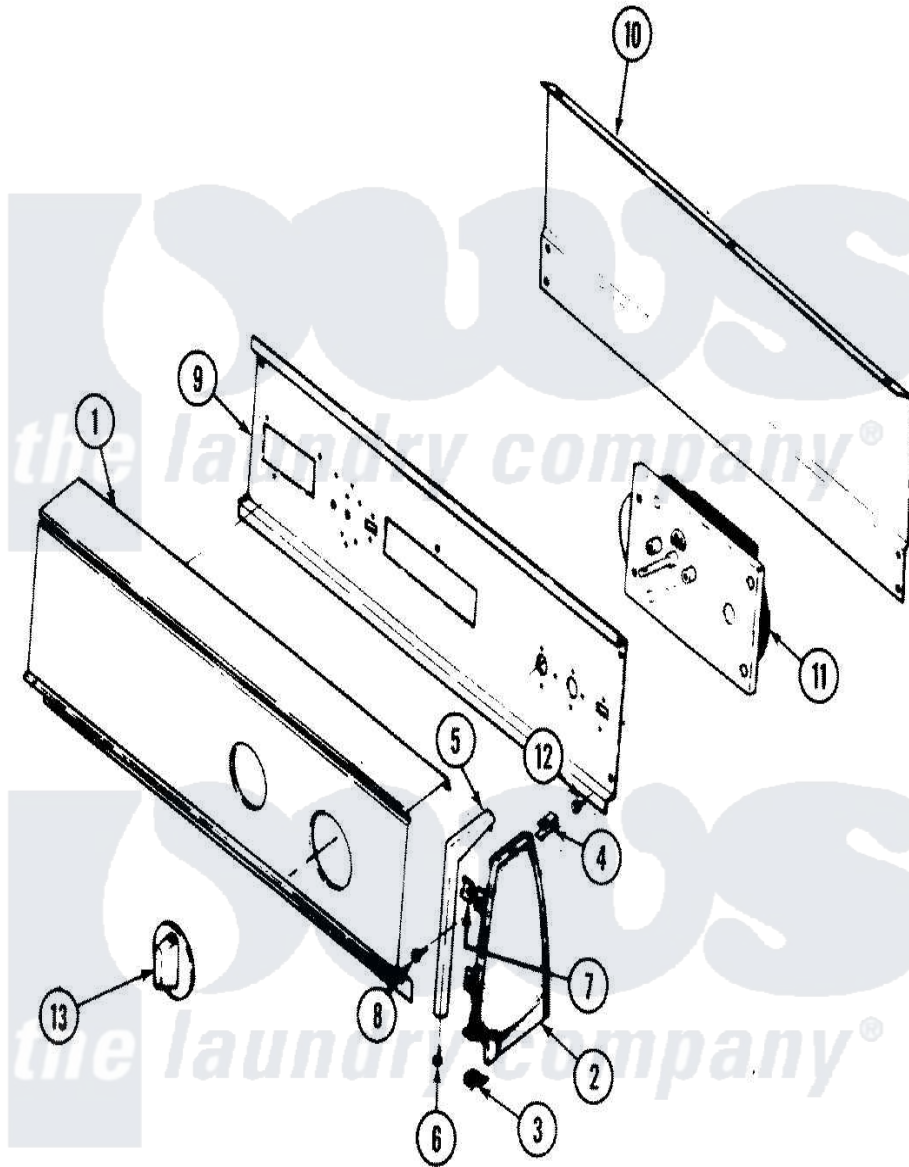


# Magic Chef YE20JN2C 02 - CONTROL PANEL (REV. A-B)



Magic Chef [Residential Magic Chef YE20JN2C Dryer Parts](#) Parts Diagram 02 - CONTROL PANEL (REV. A-B)  
 Click on the part number to view part

| Item | Original Part Number    | Replaced By              | Status        | Part Description                        |
|------|-------------------------|--------------------------|---------------|---|
| 1    | 53-1890                 |                          | Not Available | CONTROL PANEL                           |
| 2    | 35-2488                 | <a href="#">21001452</a> |               | Cap- End                                |
| "    | 25-7649                 | <a href="#">910187</a>   |               | Screw                                   |
| "    | <a href="#">25-7702</a> |                          |               | Speedclip, End Cap To Control Panel     |
| "    | 35-2487                 | <a href="#">21001451</a> |               | Cap- End                                |
| 3    | 25-7697                 | <a href="#">25-2219</a>  |               | Screw                                   |
| "    | <a href="#">25-7851</a> |                          |               | Speedclip, End Cap To Top               |
| 4    | 25-7435                 | <a href="#">33002917</a> |               | Screw, No.10-16                         |
| "    | W10124350               |                          | Not Available | NOT REQUIRED PART OR SEE NOTE           |
| 5    | 53-0278                 |                          | Not Available | TRIM, END CAP (LT)                      |
| "    | 53-0277                 |                          | Not Available | TRIM, END CAP (RT)                      |
| 6    | <a href="#">25-7760</a> |                          |               | Screw                                   |
| 7    | 25-7025                 | <a href="#">25-7748</a>  |               | Clip                                    |
| 8    | 25-3092                 | <a href="#">90767</a>    |               | Screw, 8A X 3/8 HeX Washer Head Tapping |

|    |                         |                          |  |
|----|-------------------------|--------------------------|--|
| 9  | <a href="#">53-1676</a> |                          | Shield, Control                            |
| 10 | 35-2688                 | <a href="#">21001460</a> | Shield, Rear                               |
| 11 | 63-6743                 | <a href="#">31001484</a> | Resistor Assembly                          |
| "  | 53-0635                 |                          | Not Available<br>TIMER MOTOR               |
| "  | 53-1303                 |                          | Not Available<br>TIMER                     |
| "  | <a href="#">53-1758</a> |                          | Timer                                      |
| 12 | 25-7435                 | <a href="#">33002917</a> | Screw, No.10-16                            |
| "  | 25-0205                 | <a href="#">216412</a>   | Screw, Bracket To Timer                    |
| 13 | 53-1529                 | <a href="#">31001219</a> | Knob Ski                                   |
| "  | 25-3092                 | <a href="#">90767</a>    | Screw, 8A X 3/8 HeX Washer<br>Head Tapping |
| 14 | <a href="#">53-1639</a> |                          | Buzzer Assembly                            |
| "  | 25-3092                 | <a href="#">90767</a>    | Screw, 8A X 3/8 HeX Washer<br>Head Tapping |
| 15 | 53-1906                 |                          | Not Available<br>MANUAL, USE & CARE        |

