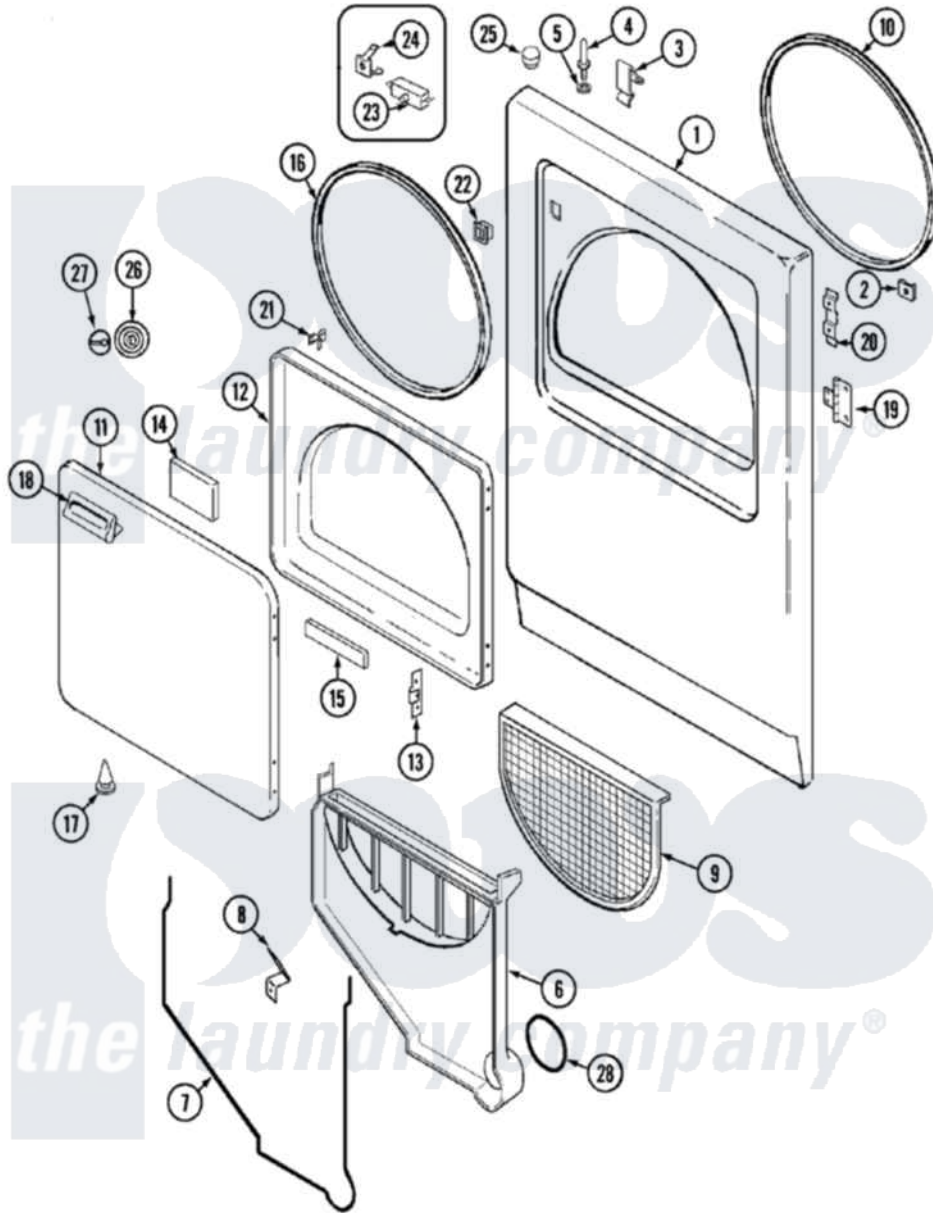


# Magic Chef YE20JN2C 03 - DOOR (REV. A-B)



Magic Chef [Residential Magic Chef YE20JN2C Dryer Parts](#) Parts Diagram 03 - DOOR (REV. A-B)  
 Click on the part number to view part

Item	Original Part Number	Replaced By	Status	Part Description
1	53-0726	<a href="#">31001771</a>		Panel, Front
2	25-7817		Not Available	CLIP, U-TYPE
"	25-7820	<a href="#">489478</a>		Screw, 8 X 1/2
3	<a href="#">25-7220</a>			Clip, Cabinet Top
4	63-6148	<a href="#">53-0643</a>		Pin, Locator
5	<a href="#">53-0200</a>			Sleeve, Locator Pin
"	25-0224	<a href="#">3400029</a>		Nut, Adapter Plate
6	53-1299	<a href="#">12001324</a>		Duct Kit, Collector
"	25-7810	<a href="#">415013-35</a>		Screw
7	53-0203	<a href="#">12001324</a>		Duct Kit, Collector
8	<a href="#">53-0123</a>			Clip
9	<a href="#">53-0918</a>			Filter, Lint
10	53-0282	<a href="#">31001637</a>		Seal Assembly, Cylinder Front
11	<a href="#">53-0154</a>			Panel, Outer Door
12	53-0740		Not Available	INNER DOOR
13	<a href="#">53-0119</a>			Clip, Hinge

14	53-0251	<a href="#">53-1490</a>	Door Pad
15	53-0252	<a href="#">53-1491</a>	Door Pad
16	53-0112	<a href="#">31001529</a>	Seal, Door
"	25-7770	<a href="#">3196169</a>	Screw, Element
17	25-3534	<a href="#">25-7889</a>	Plug Button
18	25-7810	<a href="#">415013-35</a>	Screw
"	53-0928	<a href="#">53-0927</a>	Handle, Door
19	53-0122	<a href="#">53-1492</a>	Hinge, Dryer Door
20	<a href="#">25-7809</a>		Screw, No.6-20 1/2 Flthd Torx
"	<a href="#">LA-1003</a>		Door Catch Kit
"	53-0121	Not Available	TWIN NUT
21	73-0033	<a href="#">LA-1003</a>	Door Catch Kit
22	25-7828	<a href="#">489483</a>	Screw 10-32 X 1/2
"	53-0187	<a href="#">LA-1003</a>	Door Catch Kit
23	53-0147	<a href="#">53-0148</a>	Switch, Door
24	63-5990	<a href="#">31001319</a>	Clip, Switch
25	<a href="#">33-2653</a>		Bumper, Cabinet
26	53-0155	Not Available	PLUG, GAS ACCESS (WHT)
27	<a href="#">53-0156</a>		Button, Gas Access
28	53-0203	<a href="#">12001324</a>	Duct Kit, Collector

