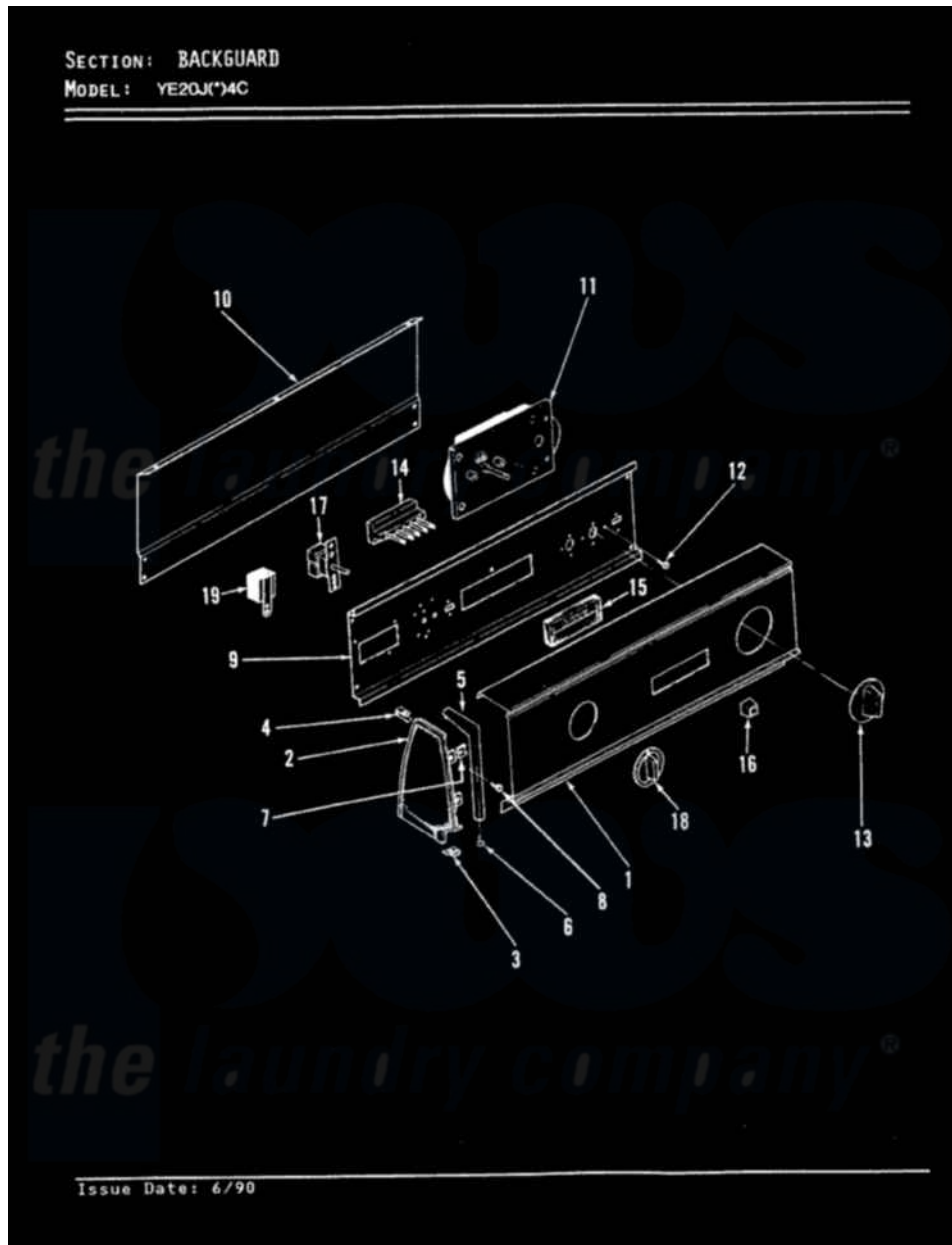


# Magic Chef YE20JN4C 01 - CONTROL PANEL



Magic Chef [Residential Magic Chef YE20JN4C Dryer Parts](#) Parts Diagram 01 - CONTROL PANEL  
 Click on the part number to view part

| Item | Original Part Number    | Replaced By              | Status        | Part Description                    |
|------|-------------------------|--------------------------|---------------|-------------------------------------|
| 1    | 53-1275                 | <a href="#">53-1821</a>  |               | Control Panel                       |
| 2    | 35-2488                 | <a href="#">21001452</a> |               | Cap- End                            |
| "    | 25-7649                 | <a href="#">910187</a>   |               | Screw                               |
| "    | <a href="#">25-7702</a> |                          |               | Speedclip, End Cap To Control Panel |
| "    | 35-2487                 | <a href="#">21001451</a> |               | Cap- End                            |
| "    | <a href="#">53-0264</a> |                          |               | RH Endcap                           |
| "    | <a href="#">53-0265</a> |                          |               | LH Endcap                           |
| 3    | 25-7697                 | <a href="#">25-2219</a>  |               | Screw                               |
| "    | <a href="#">25-7851</a> |                          |               | Speedclip, End Cap To Top           |
| 4    | 25-7435                 | <a href="#">33002917</a> |               | Screw, No.10-16                     |
| "    | <a href="#">25-7852</a> |                          |               | Speedclip, Rr Shld To End Cap       |
| 5    | 53-0278                 |                          | Not Available | TRIM, END CAP (LT)                  |
| "    | 53-0277                 |                          | Not Available | TRIM, END CAP (RT)                  |
| 6    | <a href="#">25-7760</a> |                          |               | Screw                               |
| 7    | 25-7435                 | <a href="#">33002917</a> |               | Screw, No.10-16                     |

|    |                         |                          |   |
|----|-------------------------|--------------------------|---|
| 8  | 25-3092                 | <a href="#">90767</a>    | Screw, 8A X 3/8 HeX Washer Head Tapping |
| 9  | 53-0323                 |                          | Not Available CONTROL SHIELD            |
| "  | 53-1678                 |                          | Not Available CONTROL SHIELD            |
| 10 | 35-2688                 | <a href="#">21001460</a> | Shield, Rear                            |
| "  | 53-0268                 | <a href="#">21001460</a> | Shield, Rear                            |
| "  | <a href="#">25-3457</a> |                          | Screw, Sems                             |
| 11 | 53-1816                 |                          | Not Available TIMER                     |
| "  | <a href="#">53-1362</a> |                          | Timer                                   |
| "  | 63-6743                 | <a href="#">31001484</a> | Resistor Assembly                       |
| 12 | 63-5685                 | <a href="#">63-5613</a>  | Timer                                   |
| "  | 25-0205                 | <a href="#">216412</a>   | Screw, Bracket To Timer                 |
| "  | 25-7435                 | <a href="#">33002917</a> | Screw, No.10-16                         |
| 13 | 53-1529                 | <a href="#">31001219</a> | Knob Ski                                |
| 14 | 25-3092                 | <a href="#">90767</a>    | Screw, 8A X 3/8 HeX Washer Head Tapping |
| "  | 25-7712                 |                          | Not Available SCREW                     |
| "  | 33-6621                 |                          | Not Available BRACKET, SWITCH           |
| "  | <a href="#">53-1296</a> |                          | Switch                                  |
| 15 | 33-8541                 |                          | Not Available SWITCH PAD                |
| 16 | 35-2588                 |                          | Not Available PUSHBUTTON - BLACK        |
| 17 | <a href="#">53-1263</a> |                          | Rotary Switch                           |
| "  | 25-3092                 | <a href="#">90767</a>    | Screw, 8A X 3/8 HeX Washer Head Tapping |
| 18 | 35-2185                 | <a href="#">21001283</a> | Knob, Selector---Piq                    |
| 19 | 63-6731                 | <a href="#">53-1639</a>  | Buzzer Assembly                         |
| "  | 25-3092                 | <a href="#">90767</a>    | Screw, 8A X 3/8 HeX Washer Head Tapping |
| 20 | 53-1446                 |                          | Not Available MANUAL, USE & CARE        |

*the laundry company*<sup>®</sup>

**lows**  
*the laundry company*<sup>®</sup>