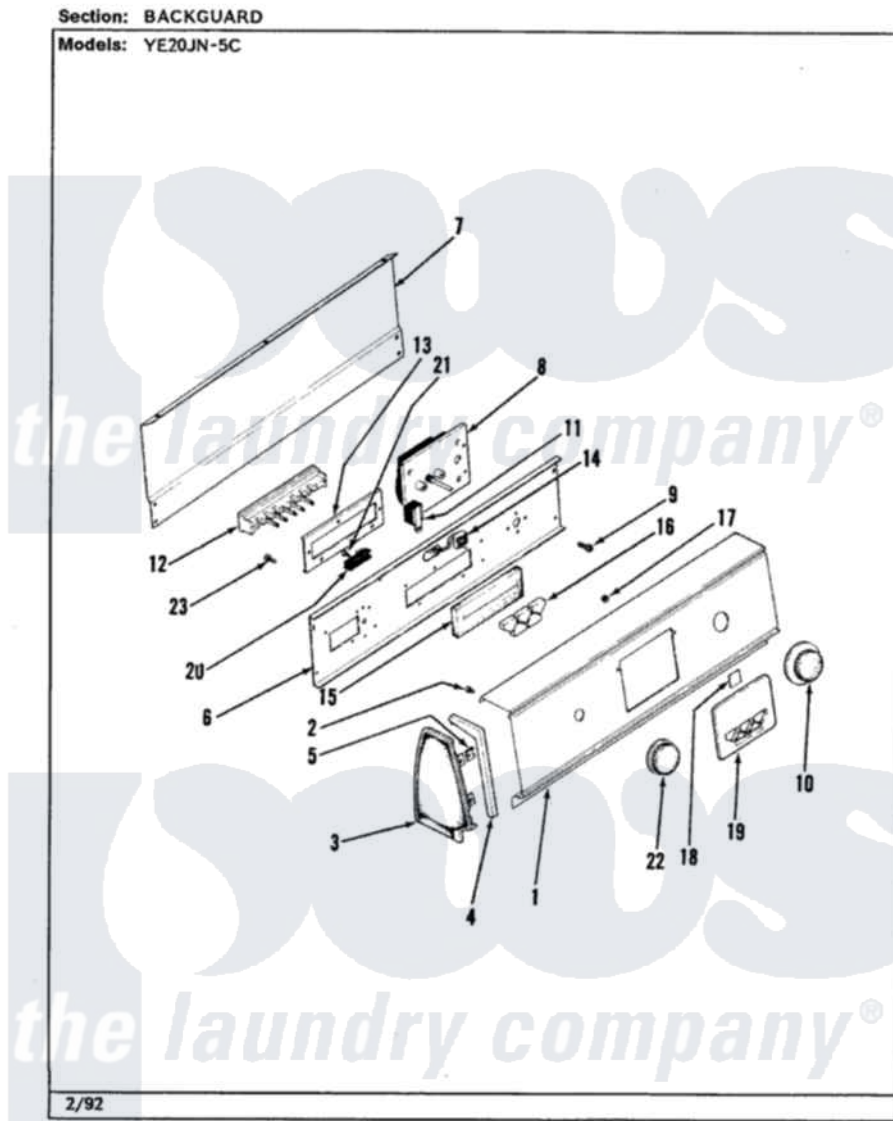


Magic Chef YE20JN5C 01 - CONTROL PANEL (YE20JN5C)(REV. A)



Magic Chef [Residential Magic Chef YE20JN5C Dryer Parts](#) Parts Diagram 01 - CONTROL PANEL (YE20JN5C)(REV. A)
Click on the part number to view part

Item	Original Part Number	Replaced By	Status	Part Description
1	53-1652		Not Available	CONTROL PANEL
2	25-7852			Speedclip, Rr Shld To End Cap
"	25-7435	33002917		Screw, No.10-16
"	25-3457			Screw, Sems
3	25-7697	25-2219		Screw
"	34-9487		Not Available	PLATE, REINFORCEMENT
"	25-7851			Speedclip, End Cap To Top
"	35-2668	21001453		Cap- End
"	35-2669		Not Available	CAP, END (LT)(WHT)
"	25-7702			Speedclip, End Cap To Control Panel
"	25-7649	910187		Screw
4	25-7760			Screw
"	53-0277		Not Available	TRIM, END CAP (RT)
"	53-0278		Not Available	TRIM, END CAP (LT)
5	25-3002	00767		Screw, 8A X 3/8 HeX Washer

		90767	Head Tapping
"	25-7702		Speedclip, End Cap To Control Panel
6	35-2680		Not Available
			CONTROL SHIELD
7	25-3092	90767	Screw, 8A X 3/8 HeX Washer Head Tapping
"	35-2688	21001460	Shield, Rear
"	25-3457		Screw, Sems
8	53-1300		Not Available
			TIMER
"	63-6743	31001484	Resistor Assembly
"	53-1816		Not Available
			TIMER
9	25-0205	216412	Screw, Bracket To Timer
"	63-5685	63-5613	Timer
10	53-1671	53-2129	Knob, And Skirt Assembly
11	53-1666		Buzzer - Adjustable
"	25-3092	90767	Screw, 8A X 3/8 HeX Washer Head Tapping
12	53-1668		Not Available
			SWITCH - 7 PUSHBUTTON
13	33-6620		Not Available
			BRACKET
"	25-3092	90767	Screw, 8A X 3/8 HeX Washer Head Tapping
"	25-7712		Not Available
			SCREW
14	35-0691-07		Not Available
			LIGHT ASSY
"	35-0691-01		Not Available
			SIGNAL LIGHT
"	35-0691-03		Not Available
			SIGNAL LIGHT
"	35-0691-02		Not Available
			SIGNAL LIGHT
15	33-8541		Not Available
			SWITCH PAD
16	53-1640-02		Not Available
			PUSHBUTTON (PERMA PRESS)
"	53-1640-06		Not Available
			PUSHBUTTON (OFF)
"	53-1640-05		Not Available
			PUSHBUTTON(ON)
"	53-1640-04		Not Available
			PUSHBUTTON (DELICATE)
"	53-1640-03		Not Available
			PUSHBUTTON (FLUFF)
"	53-1640-01		Not Available
			PUSHBUTTON (REGULAR)
17	25-7882		Not Available
			PALNUT
18	53-1636		Not Available
			BEZEL (WHITE) 7 POSITION
"	35-0690		Not Available
			LENS
19	53-1665		Not Available
			LENS DRYER
20	35-2257	7401P037-60	Block, Terminal
21	25-7649	910187	Screw
22	53-1681		Not Available
			KNOB, SELECTOR
23	25-3092	90767	Screw, 8A X 3/8 HeX Washer Head Tapping
24	53-2087		Not Available
			MANUAL, USE & CARE

the laundry company[®]