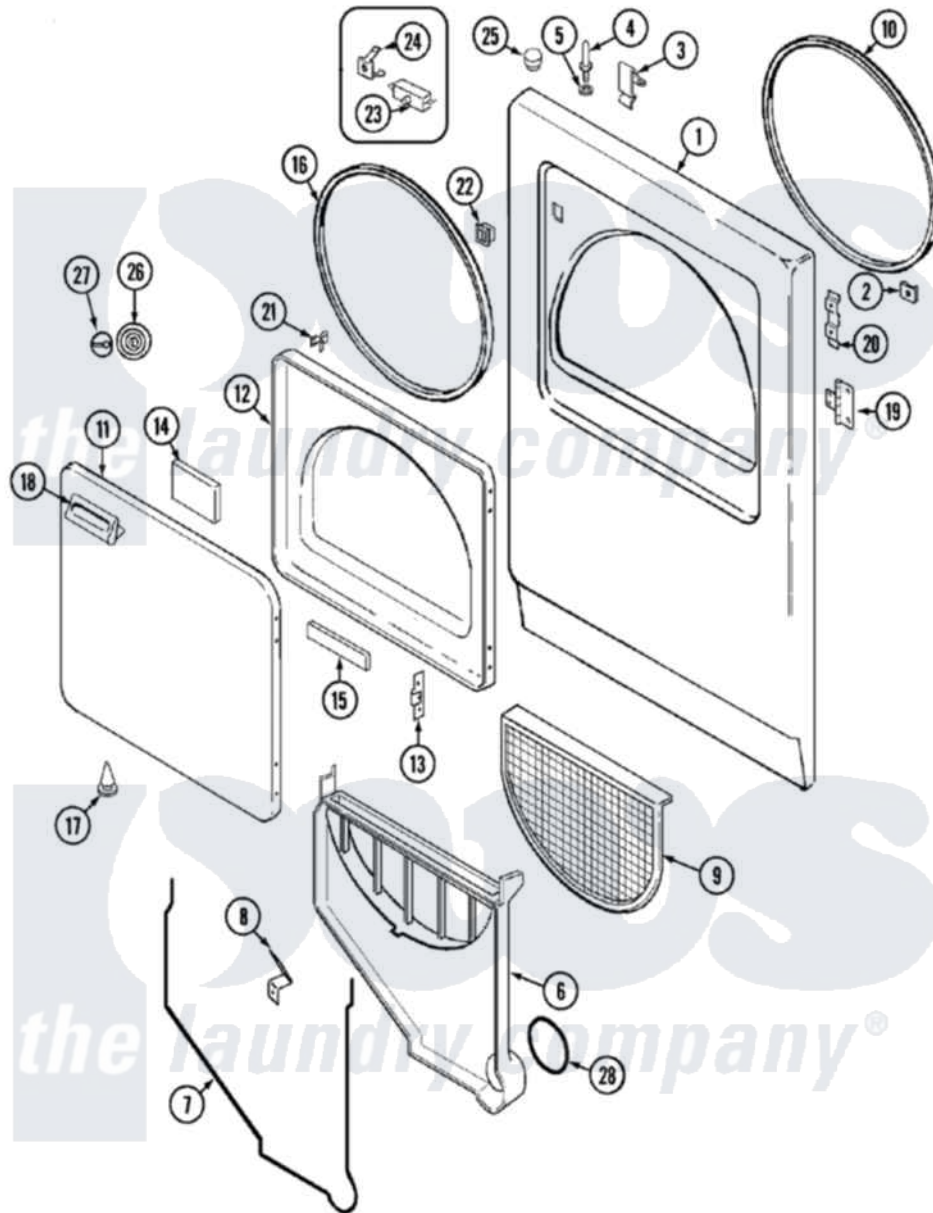


# Magic Chef YE225LM 03 - DOOR



Magic Chef [Residential Magic Chef YE225LM Dryer Parts](#) Parts Diagram 03 - DOOR  
 Click on the part number to view part

| Item | Original Part Number       | Replaced By               | Status        | Part Description            |
|------|----------------------------|---------------------------|---------------|-----------------------------|
| 1    | 53-0726-24                 |                           | Not Available | PANEL, FRONT (ALM)-ELECTRIC |
| 2    | 25-7817                    |                           | Not Available | CLIP, U-TYPE                |
| "    | 25-7820                    | <a href="#">489478</a>    |               | Screw, 8 X 1/2              |
| 3    | <a href="#">25-7220</a>    |                           |               | Clip, Cabinet Top           |
| 4    | <a href="#">53-0643</a>    |                           |               | Pin, Locator                |
| 5    | <a href="#">53-0200</a>    |                           |               | Sleeve, Locator Pin         |
| "    | 25-0224                    | <a href="#">3400029</a>   |               | Nut, Adapter Plate          |
| 6    | 25-7810                    | <a href="#">415013-35</a> |               | Screw                       |
| "    | 53-1299                    | <a href="#">12001324</a>  |               | Duct Kit, Collector         |
| 7    | <a href="#">53-0204</a>    |                           |               | Seal                        |
| 8    | <a href="#">53-0123</a>    |                           |               | Clip                        |
| 9    | <a href="#">53-0918</a>    |                           |               | Filter, Lint                |
| 10   | 53-1756                    | <a href="#">31001747</a>  |               | Seal Assembly               |
| 11   | <a href="#">53-0154-24</a> |                           |               | Panel, Outer Door           |
| 12   | 53-0912-24                 |                           | Not Available | PANEL, INNER DOOR (ALM)     |
| 13   | <a href="#">53-0119</a>    |                           |               | Clip, Hinge                 |

|    |                         |                           |                               |
|----|-------------------------|---------------------------|-------------------------------|
| 14 | <a href="#">53-1490</a> |                           | Door Pad                      |
| 15 | <a href="#">53-1491</a> |                           | Door Pad                      |
| 16 | 25-7770                 | <a href="#">3196169</a>   | Screw, Element                |
| "  | 53-0648                 | <a href="#">31001529</a>  | Seal, Door                    |
| 17 | 25-3534                 | <a href="#">25-7889</a>   | Plug Button                   |
| 18 | 31001115                | <a href="#">31001482</a>  | Handle, Door                  |
| "  | 53-0928                 | <a href="#">53-0927</a>   | Handle, Door                  |
| "  | 25-7810                 | <a href="#">415013-35</a> | Screw                         |
| 19 | <a href="#">25-7809</a> |                           | Screw, No.6-20 1/2 Flthd Torx |
| "  | <a href="#">53-1492</a> |                           | Hinge, Dryer Door             |
| 20 | 53-0121                 | Not Available             | TWIN NUT                      |
| 21 | <a href="#">LA-1003</a> |                           | Door Catch Kit                |
| "  | 53-2364                 | <a href="#">LA-1003</a>   | Door Catch Kit                |
| 22 | 53-0187                 | <a href="#">LA-1003</a>   | Door Catch Kit                |
| "  | 25-7828                 | <a href="#">489483</a>    | Screw 10-32 X 1/2             |
| 23 | <a href="#">53-0148</a> |                           | Switch, Door                  |
| "  | <a href="#">LA-1005</a> |                           | Switch Kit                    |
| 24 | 63-5990                 | <a href="#">31001319</a>  | Clip, Switch                  |
| 25 | <a href="#">33-2653</a> |                           | Bumper, Cabinet               |
| 28 | 53-0203                 | <a href="#">12001324</a>  | Duct Kit, Collector           |

