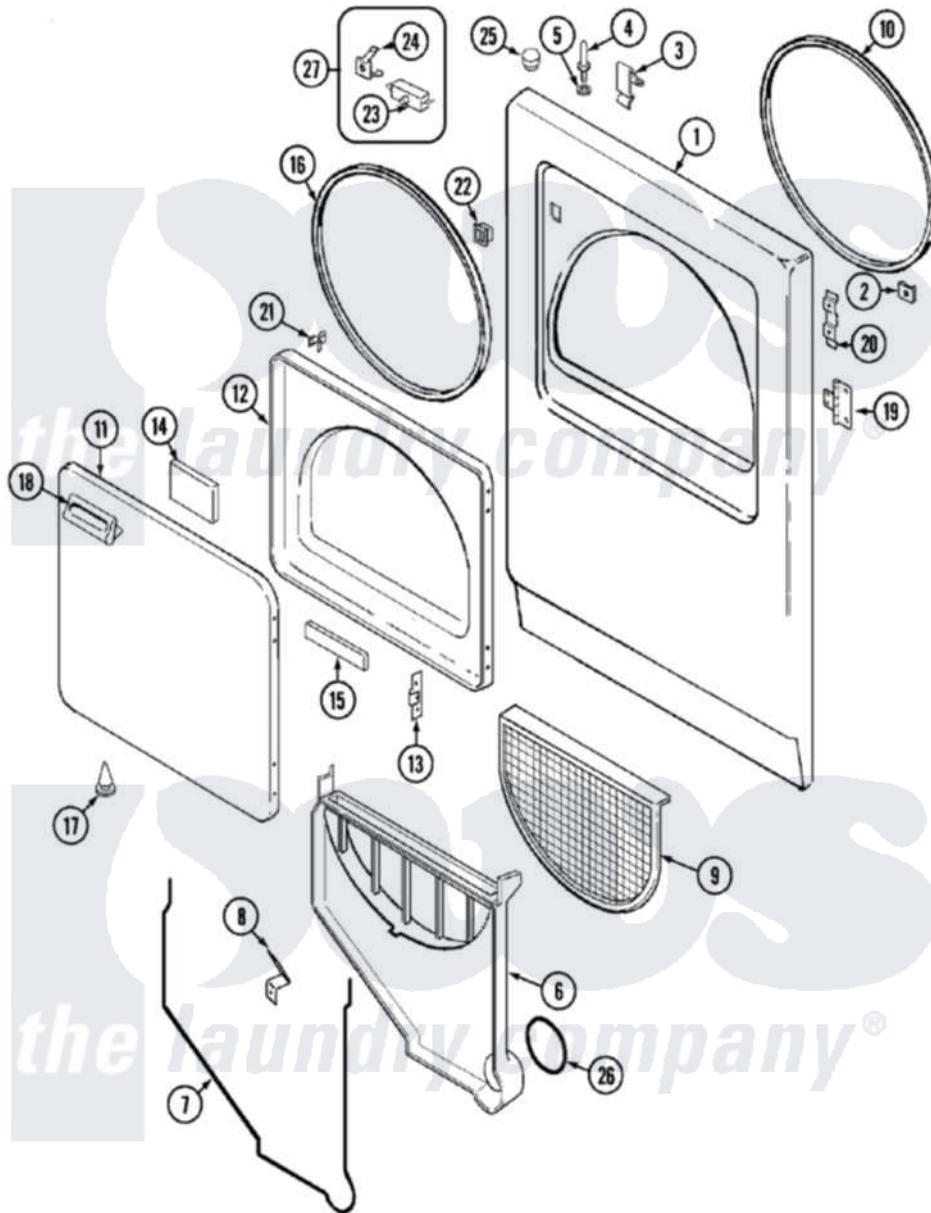


# Magic Chef YE228LM 03 - DOOR



Magic Chef [Residential Magic Chef YE228LM Dryer Parts](#) Parts Diagram 03 - DOOR  
 Click on the part number to view part

Item	Original Part Number	Replaced By	Status	Part Description
1	53-0726-24		Not Available	PANEL, FRONT (ALM)-ELECTRIC
2	25-7817		Not Available	CLIP, U-TYPE
"	25-7820	<a href="#">489478</a>		Screw, 8 X 1/2
3	<a href="#">25-7220</a>			Clip, Cabinet Top
4	<a href="#">53-0643</a>			Pin, Locator
5	<a href="#">53-0200</a>			Sleeve, Locator Pin
"	25-0224	<a href="#">3400029</a>		Nut, Adapter Plate
6	25-7810	<a href="#">415013-35</a>		Screw
"	53-1299	<a href="#">12001324</a>		Duct Kit, Collector
7	<a href="#">53-0204</a>			Seal
8	<a href="#">53-0123</a>			Clip
9	<a href="#">53-0918</a>			Filter, Lint
10	53-0281	<a href="#">31001747</a>		Seal Assembly
11	25-7770	<a href="#">3196169</a>		Screw, Element
"	<a href="#">53-0154-24</a>			Panel, Outer Door
12	53-0912-24		Not Available	PANEL, INNER DOOR (ALM)

13	<a href="#">53-0119</a>		Clip, Hinge
14	<a href="#">53-1490</a>		Door Pad
15	<a href="#">53-1491</a>		Door Pad
16	53-0648	<a href="#">31001529</a>	Seal, Door
17	<a href="#">25-7889</a>		Plug Button
18	25-7810	<a href="#">415013-35</a>	Screw
"	31001115	<a href="#">31001482</a>	Handle, Door
19	<a href="#">53-1492</a>		Hinge, Dryer Door
"	<a href="#">25-7809</a>		Screw, No.6-20 1/2 Flthd Torx
20	53-0121	Not Available	TWIN NUT
21	53-2364	<a href="#">LA-1003</a>	Door Catch Kit
"	<a href="#">LA-1003</a>		Door Catch Kit
22	53-0187	<a href="#">LA-1003</a>	Door Catch Kit
23	<a href="#">53-0148</a>		Switch, Door
24	63-5990	<a href="#">31001319</a>	Clip, Switch
25	<a href="#">33-2653</a>		Bumper, Cabinet
26	53-0203	<a href="#">12001324</a>	Duct Kit, Collector
27	<a href="#">LA-1005</a>		Switch Kit

