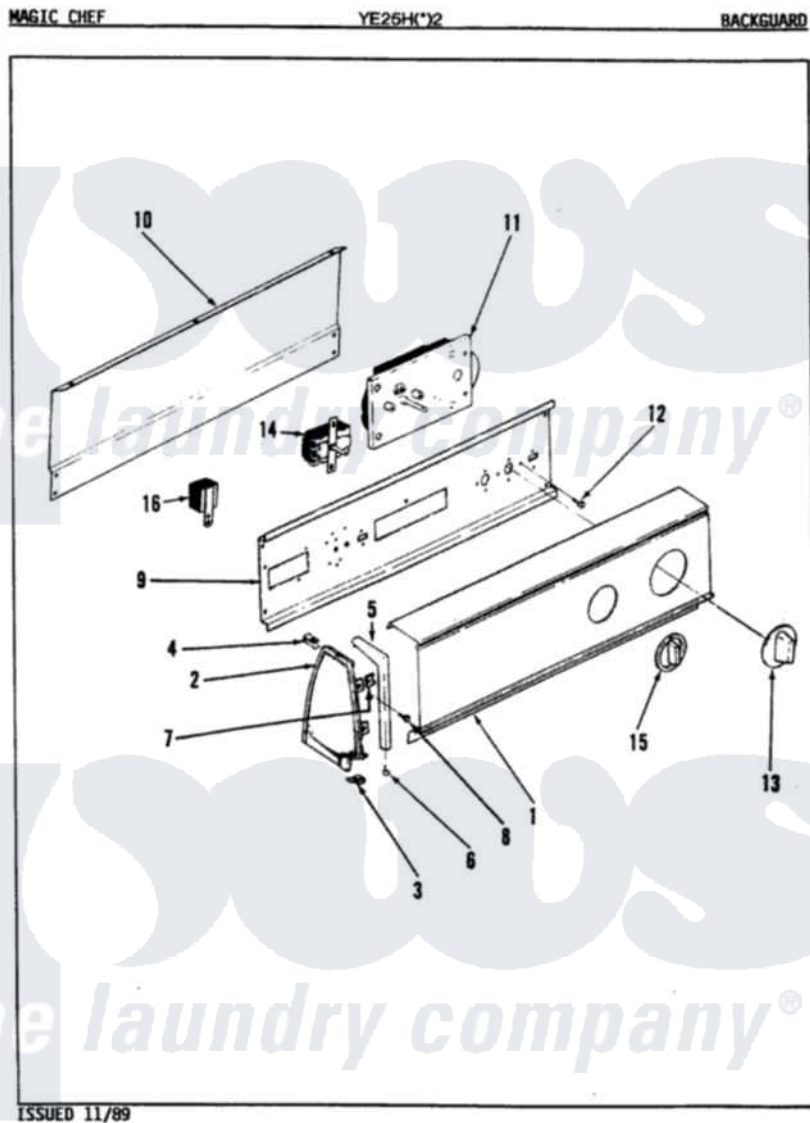


Magic Chef YE25HA2 01 - CONTROL PANEL (REV. A-D)



Magic Chef [Residential Magic Chef YE25HA2 Dryer Parts](#) Parts Diagram 01 - CONTROL PANEL (REV. A-D)
 Click on the part number to view part

| Item | Original Part Number | Replaced By | Status | Part Description |
|------|-------------------------|--------------------------|---------------|-------------------------------------|
| 1 | 53-1277 | | Not Available | CONTROL PANEL |
| 2 | 53-0265 | | | LH Endcap |
| " | 25-7649 | 910187 | | Screw |
| " | 25-7702 | | | Speedclip, End Cap To Control Panel |
| " | 35-2487 | 21001451 | | Cap- End |
| " | 35-2488 | 21001452 | | Cap- End |
| " | 53-0264 | | | RH Endcap |
| 3 | 25-7697 | 25-2219 | | Screw |
| " | 25-7851 | | | Speedclip, End Cap To Top |
| 4 | 25-7852 | | | Speedclip, Rr Shld To End Cap |
| " | 25-7435 | 33002917 | | Screw, No.10-16 |
| 5 | 53-0278 | | Not Available | TRIM, END CAP (LT) |
| " | 53-0277 | | Not Available | TRIM, END CAP (RT) |
| 6 | 25-7760 | | | Screw |
| 7 | 25-7702 | | | Speedclip, End Cap To Control |

| | | | |
|----|-------------------------|--------------------------|---|
| 7 | 25-1102 | | Panel |
| 8 | 25-3092 | 90767 | Screw, 8A X 3/8 HeX Washer Head Tapping |
| 9 | 53-1676 | | Shield, Control |
| " | 53-0365 | 53-1676 | Shield, Control |
| 10 | 53-0268 | 21001460 | Shield, Rear |
| " | 35-2688 | 21001460 | Shield, Rear |
| 11 | 53-1361 | Not Available | TIMER MOTOR |
| " | 53-1806 | Not Available | TIMER (PURCHASE) |
| " | 63-6743 | 31001484 | Resistor Assembly |
| " | 53-1366 | | Timer |
| " | 53-1551 | | Timer |
| 12 | 25-0205 | 216412 | Screw, Bracket To Timer |
| 13 | 53-1529 | 31001219 | Knob Ski |
| 14 | 25-3092 | 90767 | Screw, 8A X 3/8 HeX Washer Head Tapping |
| " | 53-1267 | 53-0456 | Switch, Selector |
| 15 | 35-2185 | 21001283 | Knob, Selector---Piq |
| 16 | 63-6731 | 53-1639 | Buzzer Assembly |
| " | 25-3092 | 90767 | Screw, 8A X 3/8 HeX Washer Head Tapping |
| 17 | 53-1451 | Not Available | MANUAL, USE & CARE |

