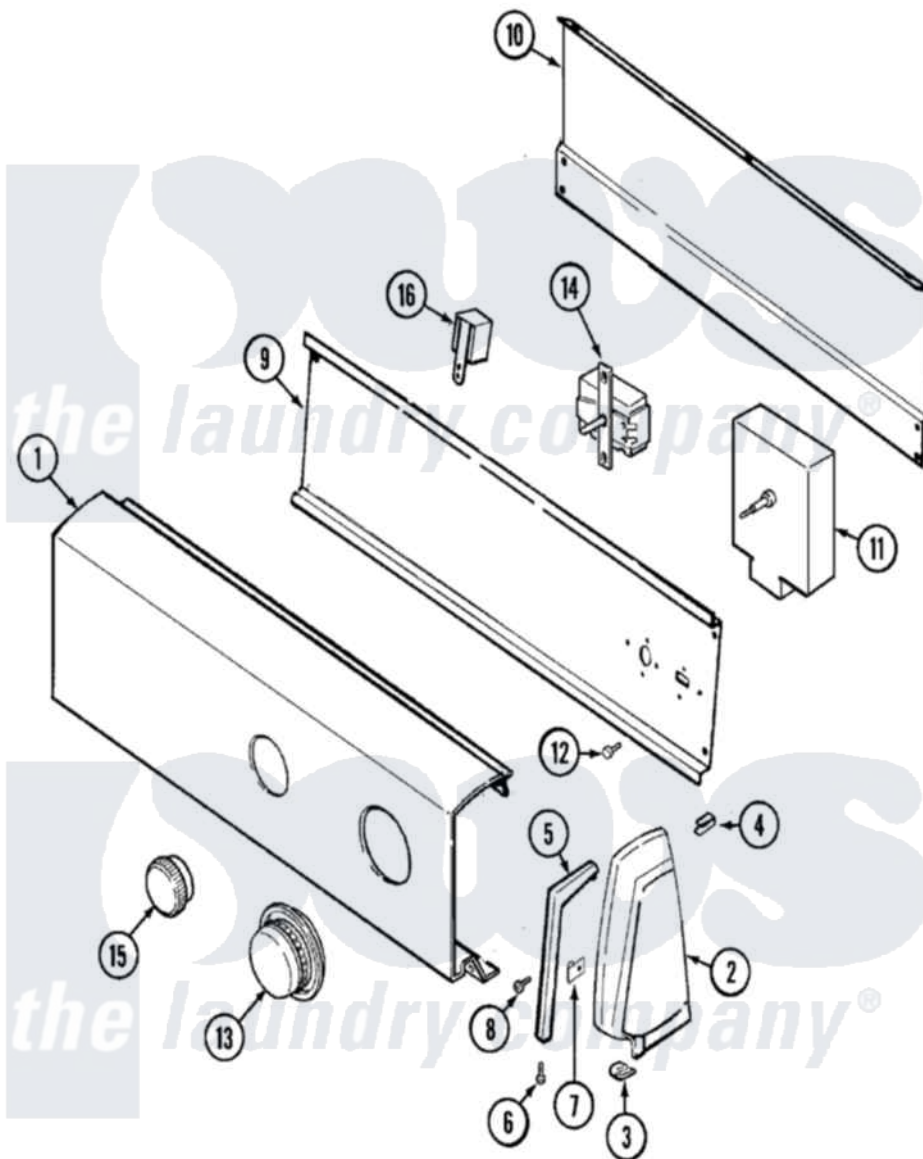


# Magic Chef YE26HN2 03 - CONTROL PANEL (REV. E-G)



Magic Chef [Residential Magic Chef YE26HN2 Dryer Parts](#) Parts Diagram 03 - CONTROL PANEL (REV. E-G)  
 Click on the part number to view part

Item	Original Part Number	Replaced By	Status	Part Description
1	53-1277		Not Available	CONTROL PANEL
2	25-7649	<a href="#">910187</a>		Screw
"	25-7697	<a href="#">25-2219</a>		Screw
"	<a href="#">25-7702</a>			Speedclip, End Cap To Control Panel
"	<a href="#">25-7851</a>			Speedclip, End Cap To Top
"	35-2487	<a href="#">21001451</a>		Cap- End
"	35-2488	<a href="#">21001452</a>		Cap- End
3	<a href="#">25-7851</a>			Speedclip, End Cap To Top
"	25-7697	<a href="#">25-2219</a>		Screw
4	25-7435	<a href="#">33002917</a>		Screw, No.10-16
"	<a href="#">25-7852</a>			Speedclip, Rr Shld To End Cap
5	53-0277		Not Available	TRIM, END CAP (RT)
"	53-0278		Not Available	TRIM, END CAP (LT)
6	<a href="#">25-7760</a>			Screw
7	<a href="#">25-7702</a>			Speedclip, End Cap To Control

	<a href="#">25-1192</a>		Panel
8	25-3092	<a href="#">90767</a>	Screw, 8A X 3/8 HeX Washer Head Tapping
9	<a href="#">53-1676</a>		Shield, Control
10	35-2688	<a href="#">21001460</a>	Shield, Rear
11	<a href="#">53-1805</a>		Timer
"	53-1550	Not Available	TIMER
"	63-6743	<a href="#">31001484</a>	Resistor Assembly
12	25-7435	<a href="#">33002917</a>	Screw, No.10-16
"	25-0205	<a href="#">216412</a>	Screw, Bracket To Timer
13	53-1529	<a href="#">31001219</a>	Knob Ski
14	53-1267	<a href="#">53-0456</a>	Switch, Selector
"	25-3092	<a href="#">90767</a>	Screw, 8A X 3/8 HeX Washer Head Tapping
15	35-2185	<a href="#">21001283</a>	Knob, Selector---Piq
16	63-6731	<a href="#">53-1639</a>	Buzzer Assembly
"	25-3092	<a href="#">90767</a>	Screw, 8A X 3/8 HeX Washer Head Tapping
NI	53-1451-1	Not Available	MANUAL, USE & CARE
"	16000329	Not Available	GUIDE, QUICK REF. - MAGIC CHEF

