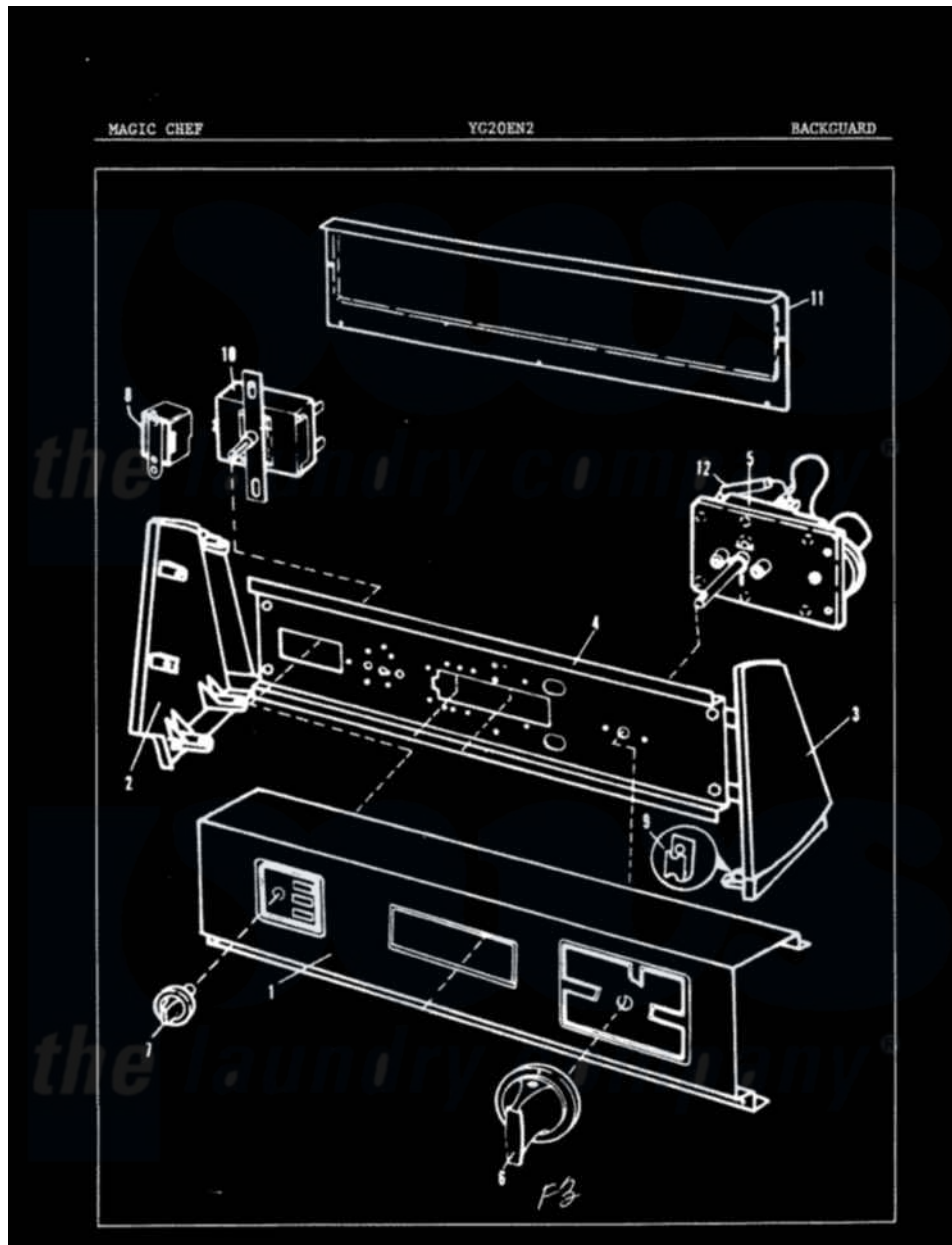


# Magic Chef YG20EY2 01 - CONTROL PANEL



Magic Chef [Residential Magic Chef YG20EY2 Dryer Parts](#) Parts Diagram 01 - CONTROL PANEL  
 Click on the part number to view part

Item	Original Part Number	Replaced By	Status	Part Description
1	25-7649	<a href="#">910187</a>		Screw
"	53-0830		Not Available	CONTROL PANEL
"	<a href="#">25-7702</a>			Speedclip, End Cap To Control Panel
2	<a href="#">53-0265</a>			LH Endcap
3	<a href="#">25-7760</a>			Screw
"	<a href="#">53-0264</a>			RH Endcap
"	53-0277		Not Available	TRIM, END CAP (RT)
"	53-0278		Not Available	TRIM, END CAP (LT)
4	53-0365	<a href="#">53-1676</a>		Shield, Control
"	25-3092	<a href="#">90767</a>		Screw, 8A X 3/8 HeX Washer Head Tapping
"	<a href="#">25-7702</a>			Speedclip, End Cap To Control Panel
5	25-0289		Not Available	SCREW
"	<a href="#">53-0657</a>			Timer
"	53-0497	<a href="#">LA-1026</a>		Timer Kit

"	63-6752		Not Available	TIMER MOTOR
6	53-0653	<a href="#">31001219</a>		Knob Ski
"	<a href="#">25-6044</a>			Set Screw
"	53-0495		Not Available	TIMER KNOB
7	35-0280		Not Available	SELECTOR KNOB
8	63-6731	<a href="#">53-1639</a>		Buzzer Assembly
"	25-3092	<a href="#">90767</a>		Screw, 8A X 3/8 HeX Washer Head Tapping
9	<a href="#">25-7702</a>			Speedclip, End Cap To Control Panel
10	53-0344		Not Available	SWITCH, TEMPERATURE
"	25-3092	<a href="#">90767</a>		Screw, 8A X 3/8 HeX Washer Head Tapping
11	34-9487		Not Available	PLATE, REINFORCEMENT
"	25-3092	<a href="#">90767</a>		Screw, 8A X 3/8 HeX Washer Head Tapping
"	<a href="#">25-3457</a>			Screw, Sems
"	25-7435	<a href="#">33002917</a>		Screw, No.10-16
"	25-7697	<a href="#">25-2219</a>		Screw
"	<a href="#">25-7852</a>			Speedclip, Rr Shld To End Cap
"	53-0268	<a href="#">21001460</a>		Shield, Rear
"	<a href="#">25-7851</a>			Speedclip, End Cap To Top

