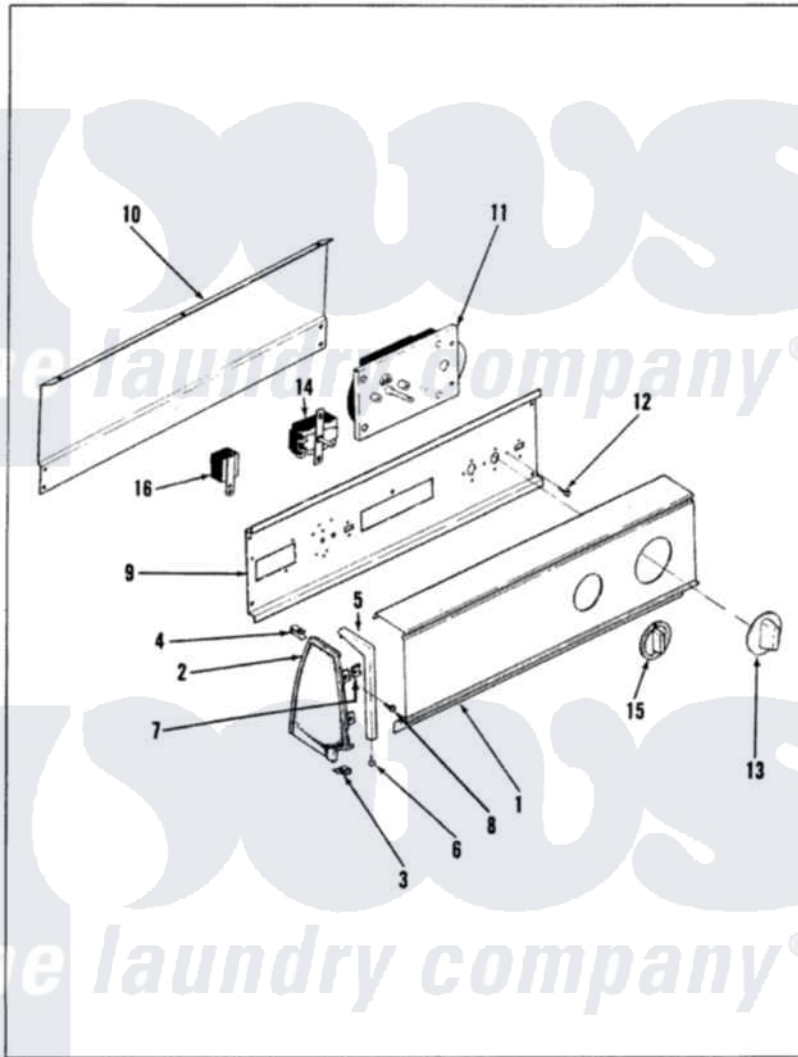


# Magic Chef YG20FN3 01 - CONTROL PANEL

MAGIC CHEF

YG20FN-3

BACKGUARD



Magic Chef [Residential Magic Chef YG20FN3 Dryer Parts](#) Parts Diagram 01 - CONTROL PANEL

[Click on the part number to view part](#)

Item	Original Part Number	Replaced By	Status	Part Description
1	53-1067		Not Available	CONTROL PANEL
2	<a href="#">53-0264</a>			RH Endcap
"	25-7649	<a href="#">910187</a>		Screw
"	<a href="#">25-7702</a>			Speedclip, End Cap To Control Panel
"	<a href="#">53-0265</a>			LH Endcap
3	25-7697	<a href="#">25-2219</a>		Screw
"	<a href="#">25-7851</a>			Speedclip, End Cap To Top
4	25-7435	<a href="#">33002917</a>		Screw, No.10-16
"	<a href="#">25-7852</a>			Speedclip, Rr Shld To End Cap
5	53-0277		Not Available	TRIM, END CAP (RT)
"	53-0278		Not Available	TRIM, END CAP (LT)
6	<a href="#">25-7760</a>			Screw
7	<a href="#">25-7702</a>			Speedclip, End Cap To Control Panel
8	25-3092	<a href="#">90767</a>		Screw, 8A X 3/8 HeX Washer Head Tapping

9	53-0365	<a href="#">53-1676</a>	Shield, Control
10	53-0268	<a href="#">21001460</a>	Shield, Rear
11	<a href="#">53-0657</a>		Timer
"	53-0635		Not Available TIMER MOTOR
12	25-0205	<a href="#">216412</a>	Screw, Bracket To Timer
13	53-0653	<a href="#">31001219</a>	Knob Ski
14	53-0344		Not Available SWITCH, TEMPERATURE
"	25-3092	<a href="#">90767</a>	Screw, 8A X 3/8 HeX Washer Head Tapping
15	35-0168		Not Available SELECTOR KNOB
16	25-3092	<a href="#">90767</a>	Screw, 8A X 3/8 HeX Washer Head Tapping
"	63-6731	<a href="#">53-1639</a>	Buzzer Assembly

*the laundry company*<sup>®</sup>

*the laundry company*<sup>®</sup>

*the laundry company*<sup>®</sup>