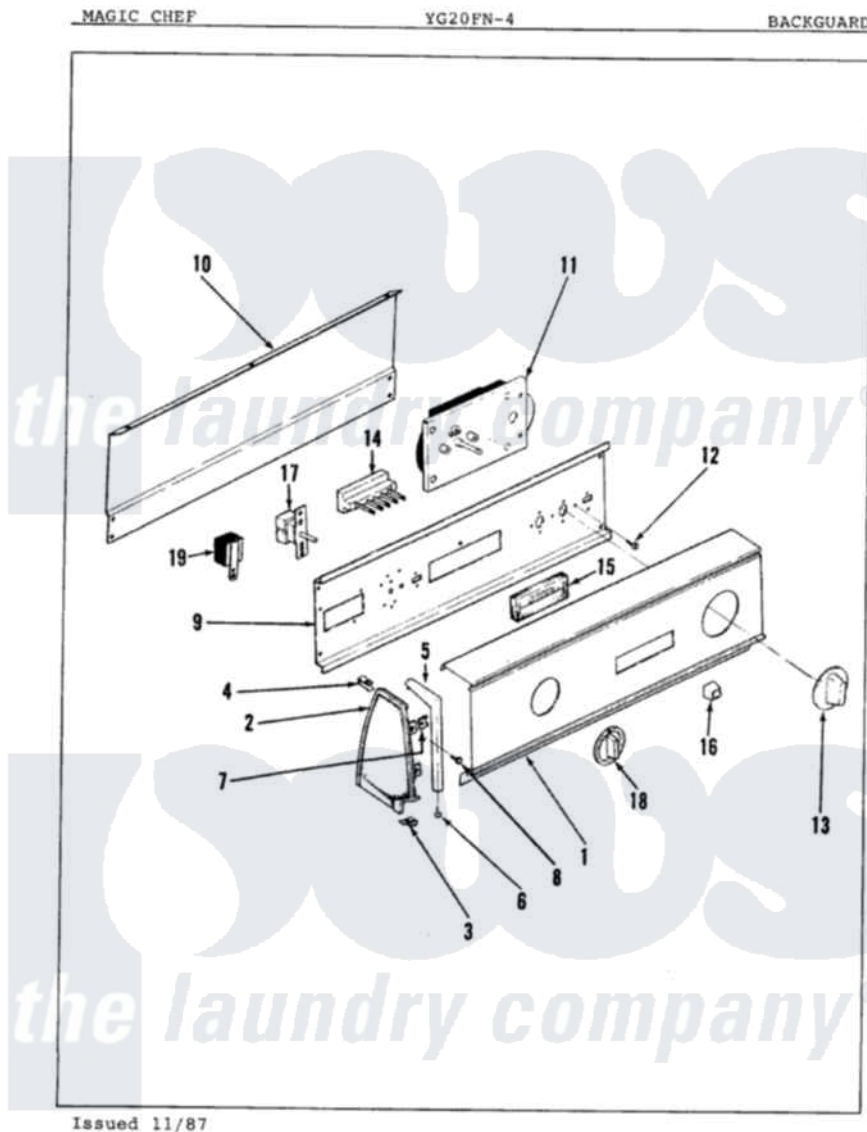


# Magic Chef YG20FN4 01 - CONTROL PANEL



Magic Chef [Residential Magic Chef YG20FN4 Dryer Parts](#) Parts Diagram 01 - CONTROL PANEL  
 Click on the part number to view part

Item	Original Part Number	Replaced By	Status	Part Description
1	53-0993		Not Available	CONTROL PANEL
2	<a href="#">53-0265</a>			LH Endcap
"	25-7649	<a href="#">910187</a>		Screw
"	<a href="#">25-7702</a>			Speedclip, End Cap To Control Panel
"	<a href="#">53-0264</a>			RH Endcap
3	25-7697	<a href="#">25-2219</a>		Screw
"	<a href="#">25-7851</a>			Speedclip, End Cap To Top
4	25-7435	<a href="#">33002917</a>		Screw, No.10-16
"	<a href="#">25-7852</a>			Speedclip, Rr Shld To End Cap
5	53-0278		Not Available	TRIM, END CAP (LT)
"	53-0277		Not Available	TRIM, END CAP (RT)
6	<a href="#">25-7760</a>			Screw
7	25-7435	<a href="#">33002917</a>		Screw, No.10-16
8	25-3092	<a href="#">90767</a>		Screw, 8A X 3/8 HeX Washer Head Tapping

9	53-0323		Not Available	CONTROL SHIELD
10	53-0268	<a href="#">21001460</a>		Shield, Rear
"	<a href="#">25-3457</a>			Screw, Sems
11	63-5685	<a href="#">63-5613</a>		Timer
"	53-0660	<a href="#">LA-1027</a>		Timer Kit
12	25-0205	<a href="#">216412</a>		Screw, Bracket To Timer
13	53-0653	<a href="#">31001219</a>		Knob Ski
14	25-3092	<a href="#">90767</a>		Screw, 8A X 3/8 HeX Washer Head Tapping
"	25-7712		Not Available	SCREW
"	33-6621		Not Available	BRACKET, SWITCH
"	63-5483		Not Available	5 PB SWITCH
15	33-8541		Not Available	SWITCH PAD
16	<a href="#">35-0385</a>			Pushbutton
17	25-3092	<a href="#">90767</a>		Screw, 8A X 3/8 HeX Washer Head Tapping
"	53-0346	<a href="#">53-1263</a>		Rotary Switch
18	35-0168		Not Available	SELECTOR KNOB
19	63-6731	<a href="#">53-1639</a>		Buzzer Assembly
"	25-3092	<a href="#">90767</a>		Screw, 8A X 3/8 HeX Washer Head Tapping

