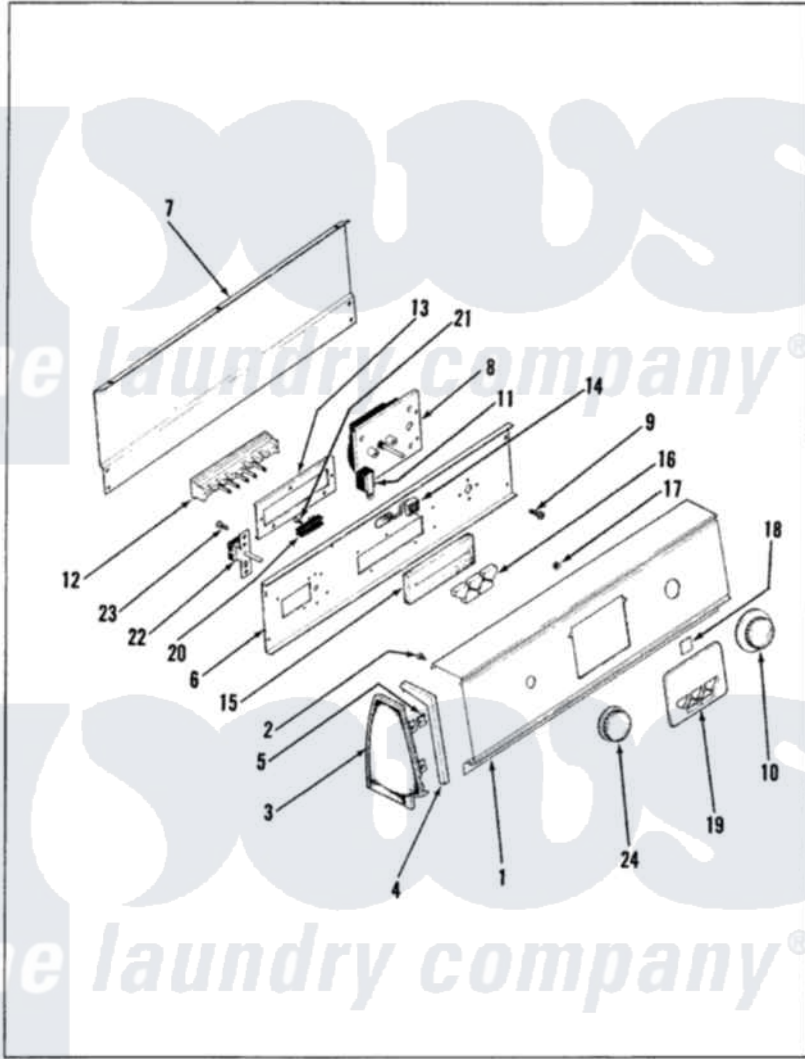


# Magic Chef YG20FN5 01 - CONTROL PANEL

MAGIC CHEF

YG20FN-5

BACKGUARD



Issued 11/87

Magic Chef [Residential Magic Chef YG20FN5 Dryer Parts](#) Parts Diagram 01 - CONTROL PANEL

[Click on the part number to view part](#)

| Item | Original Part Number    | Replaced By              | Status        | Part Description                    |
|------|-------------------------|--------------------------|---------------|-------------------------------------|
| 1    | 53-0855                 |                          | Not Available | CONTROL PANEL                       |
| 2    | <a href="#">25-7852</a> |                          |               | Speedclip, Rr Shld To End Cap       |
| "    | <a href="#">25-3457</a> |                          |               | Screw, Sems                         |
| "    | 25-7435                 | <a href="#">33002917</a> |               | Screw, No.10-16                     |
| 3    | <a href="#">25-7702</a> |                          |               | Speedclip, End Cap To Control Panel |
| "    | 25-7697                 | <a href="#">25-2219</a>  |               | Screw                               |
| "    | <a href="#">53-0264</a> |                          |               | RH Endcap                           |
| "    | <a href="#">53-0265</a> |                          |               | LH Endcap                           |
| "    | <a href="#">25-7851</a> |                          |               | Speedclip, End Cap To Top           |
| "    | 34-9487                 |                          | Not Available | PLATE, REINFORCEMENT                |
| "    | 25-7649                 | <a href="#">910187</a>   |               | Screw                               |
| 4    | 53-0278                 |                          | Not Available | TRIM, END CAP (LT)                  |
| "    | <a href="#">25-7760</a> |                          |               | Screw                               |
| "    | 53-0277                 |                          | Not Available | TRIM, END CAP (RT)                  |
| 5    | <a href="#">25-7702</a> |                          |               | Speedclip, End Cap To Control       |

|    |                         |                             |   |
|----|-------------------------|-----------------------------|---|
|    | <a href="#">25-7702</a> |                             | Panel                                   |
| "  | 25-3092                 | <a href="#">90767</a>       | Screw, 8A X 3/8 HeX Washer Head Tapping |
| 6  | <a href="#">25-7760</a> |                             | Screw                                   |
| 7  | <a href="#">25-3457</a> |                             | Screw, Sems                             |
| "  | 25-3092                 | <a href="#">90767</a>       | Screw, 8A X 3/8 HeX Washer Head Tapping |
| "  | 53-0268                 | <a href="#">21001460</a>    | Shield, Rear                            |
| 8  | 53-0660                 | <a href="#">LA-1027</a>     | Timer Kit                               |
| 9  | 25-0205                 | <a href="#">216412</a>      | Screw, Bracket To Timer                 |
| 10 | 53-0850                 | Not Available               | TIMER KNOB ASM                          |
| 11 | 63-5685                 | <a href="#">63-5613</a>     | Timer                                   |
| "  | 63-6731                 | <a href="#">53-1639</a>     | Buzzer Assembly                         |
| "  | 25-3092                 | <a href="#">90767</a>       | Screw, 8A X 3/8 HeX Washer Head Tapping |
| 12 | 53-0856                 | Not Available               | PB SWITCH                               |
| 13 | 33-6620                 | Not Available               | BRACKET                                 |
| "  | 25-3092                 | <a href="#">90767</a>       | Screw, 8A X 3/8 HeX Washer Head Tapping |
| "  | 25-7712                 | Not Available               | SCREW                                   |
| 14 | 35-0691-01              | Not Available               | SIGNAL LIGHT                            |
| "  | 35-0691-02              | Not Available               | SIGNAL LIGHT                            |
| "  | 35-0691-03              | Not Available               | SIGNAL LIGHT                            |
| 15 | 33-8541                 | Not Available               | SWITCH PAD                              |
| 16 | 53-0853-01              | Not Available               | PUSHBUTTON                              |
| "  | 53-0853-02              | Not Available               | PUSHBUTTON                              |
| "  | 53-0853-03              | Not Available               | PUSHBUTTON                              |
| "  | 53-0853-04              | Not Available               | PUSHBUTTON                              |
| 17 | 25-7882                 | Not Available               | PALNUT                                  |
| 18 | 35-0690                 | Not Available               | LENS                                    |
| 19 | 53-0857                 | Not Available               | LENS                                    |
| "  | 53-0854                 | Not Available               | PB BEZEL                                |
| 20 | 35-0729                 | <a href="#">7401P037-60</a> | Block, Terminal                         |
| 21 | 25-7649                 | <a href="#">910187</a>      | Screw                                   |
| 22 | 53-0346                 | <a href="#">53-1263</a>     | Rotary Switch                           |
| 23 | 25-3092                 | <a href="#">90767</a>       | Screw, 8A X 3/8 HeX Washer Head Tapping |
| 24 | 53-0849                 | Not Available               | SELECTOR KNOB - FAB                     |

