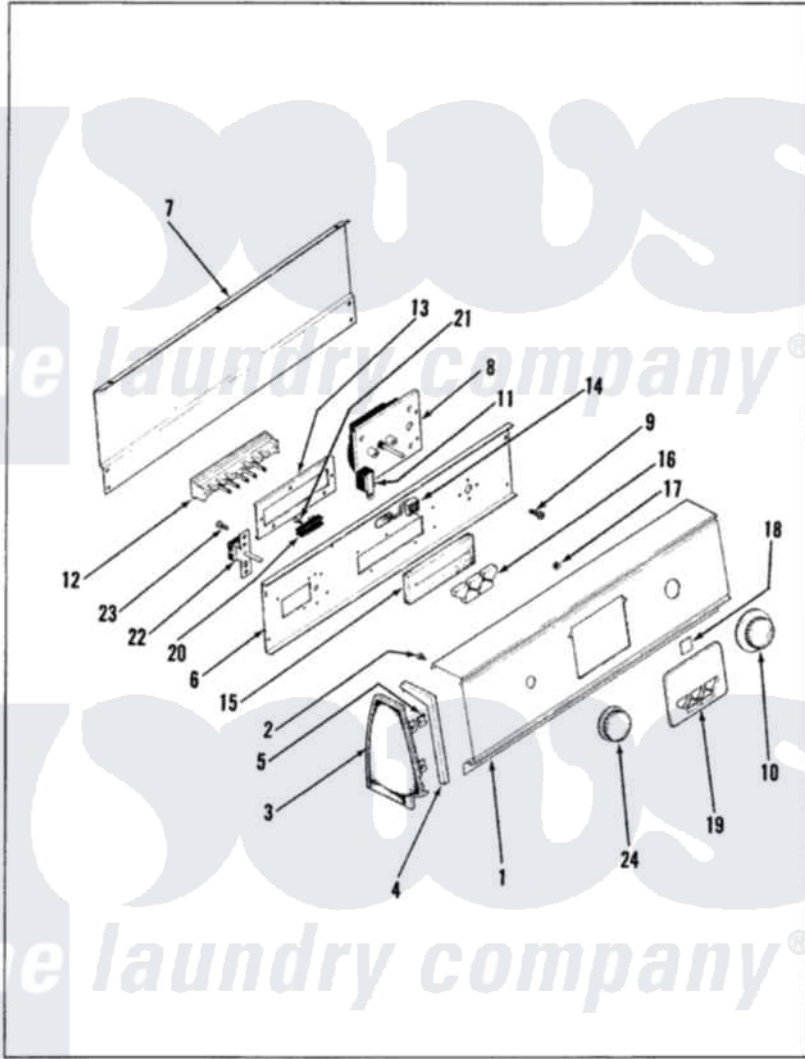


Magic Chef YG20FY5 01 - CONTROL PANEL

MAGIC CHEF

YG20FN-5

BACKGUARD



Issued 11/87

Magic Chef [Residential Magic Chef YG20FY5 Dryer Parts](#) Parts Diagram 01 - CONTROL PANEL

[Click on the part number to view part](#)

| Item | Original Part Number | Replaced By | Status | Part Description |
|------|-------------------------|--------------------------|---------------|-------------------------------------|
| 1 | 53-0855 | | Not Available | CONTROL PANEL |
| 2 | 25-7852 | | | Speedclip, Rr Shld To End Cap |
| " | 25-3457 | | | Screw, Sems |
| " | 25-7435 | 33002917 | | Screw, No.10-16 |
| 3 | 25-7702 | | | Speedclip, End Cap To Control Panel |
| " | 25-7697 | 25-2219 | | Screw |
| " | 53-0264 | | | RH Endcap |
| " | 53-0265 | | | LH Endcap |
| " | 25-7851 | | | Speedclip, End Cap To Top |
| " | 34-9487 | | Not Available | PLATE, REINFORCEMENT |
| " | 25-7649 | 910187 | | Screw |
| 4 | 53-0278 | | Not Available | TRIM, END CAP (LT) |
| " | 25-7760 | | | Screw |
| " | 53-0277 | | Not Available | TRIM, END CAP (RT) |
| 5 | 25-7702 | | | Speedclip, End Cap To Control |

| | | | |
|----|-------------------------|-----------------------------|---|
| | 25-7702 | | Panel |
| " | 25-3092 | 90767 | Screw, 8A X 3/8 HeX Washer Head Tapping |
| 6 | 25-7760 | | Screw |
| 7 | 25-3457 | | Screw, Sems |
| " | 25-3092 | 90767 | Screw, 8A X 3/8 HeX Washer Head Tapping |
| " | 53-0268 | 21001460 | Shield, Rear |
| 8 | 53-0660 | LA-1027 | Timer Kit |
| 9 | 25-0205 | 216412 | Screw, Bracket To Timer |
| 10 | 53-0850 | Not Available | TIMER KNOB ASM |
| 11 | 63-5685 | 63-5613 | Timer |
| " | 63-6731 | 53-1639 | Buzzer Assembly |
| " | 25-3092 | 90767 | Screw, 8A X 3/8 HeX Washer Head Tapping |
| 12 | 53-0856 | Not Available | PB SWITCH |
| 13 | 33-6620 | Not Available | BRACKET |
| " | 25-3092 | 90767 | Screw, 8A X 3/8 HeX Washer Head Tapping |
| " | 25-7712 | Not Available | SCREW |
| 14 | 35-0691-01 | Not Available | SIGNAL LIGHT |
| " | 35-0691-02 | Not Available | SIGNAL LIGHT |
| " | 35-0691-03 | Not Available | SIGNAL LIGHT |
| 15 | 33-8541 | Not Available | SWITCH PAD |
| 16 | 53-0853-01 | Not Available | PUSHBUTTON |
| " | 53-0853-02 | Not Available | PUSHBUTTON |
| " | 53-0853-03 | Not Available | PUSHBUTTON |
| " | 53-0853-04 | Not Available | PUSHBUTTON |
| 17 | 25-7882 | Not Available | PALNUT |
| 18 | 35-0690 | Not Available | LENS |
| 19 | 53-0857 | Not Available | LENS |
| " | 53-0854 | Not Available | PB BEZEL |
| 20 | 35-0729 | 7401P037-60 | Block, Terminal |
| 21 | 25-7649 | 910187 | Screw |
| 22 | 53-0346 | 53-1263 | Rotary Switch |
| 23 | 25-3092 | 90767 | Screw, 8A X 3/8 HeX Washer Head Tapping |
| 24 | 53-0849 | Not Available | SELECTOR KNOB - FAB |

