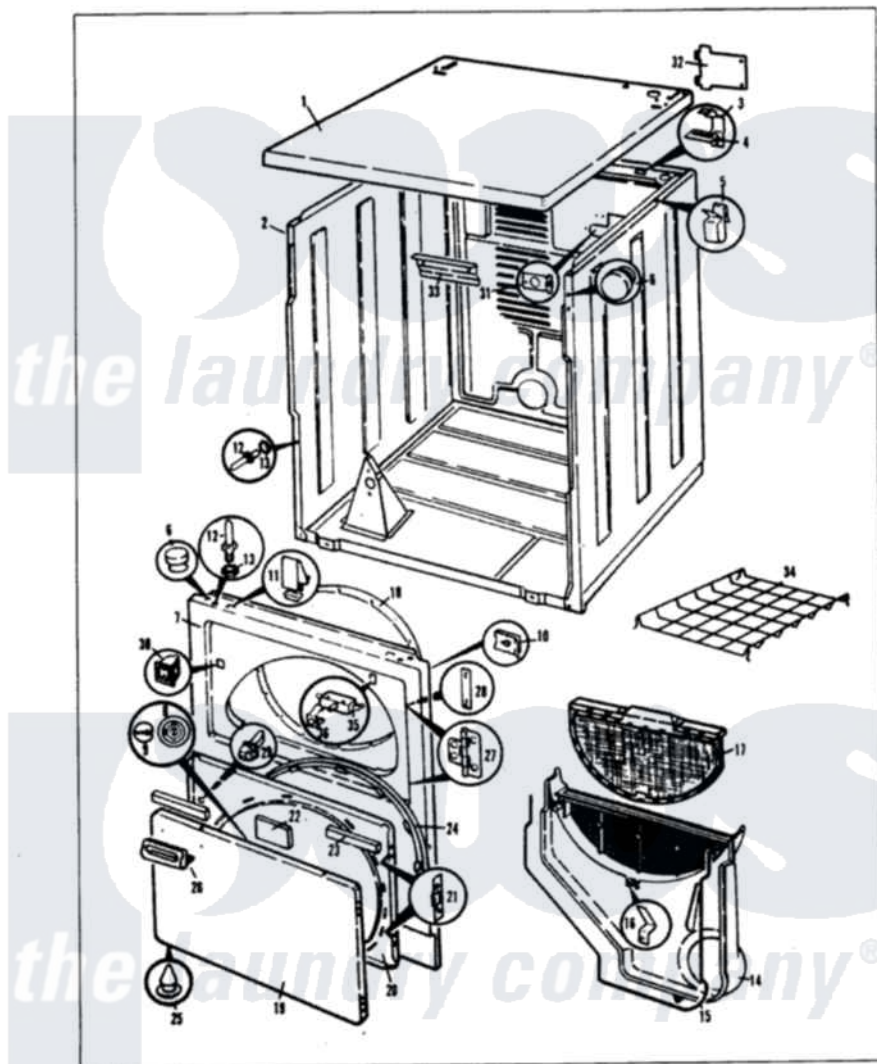


# Magic Chef YG20FY5 03 - EXTERIOR

MAGIC CHEF YG20FN-5 EXTERIOR



Issued 11/87

Magic Chef [Residential Magic Chef YG20FY5 Dryer Parts](#) Parts Diagram 03 - EXTERIOR  
 Click on the part number to view part

| Item | Original Part Number    | Replaced By               | Status        | Part Description                        |
|------|-------------------------|---------------------------|---------------|---|
| 1    | 53-0314-25              |                           | Not Available | CABINET TOP                             |
| 2    | 53-0160-25              |                           | Not Available | CABINET ASM                             |
| 3    | <a href="#">63-5712</a> |                           |               | Hinge, Cabinet Top                      |
| 4    | 25-3092                 | <a href="#">90767</a>     |               | Screw, 8A X 3/8 HeX Washer Head Tapping |
| "    | <a href="#">33-0930</a> |                           |               | Pad, Top Hinge                          |
| 5    | <a href="#">25-3034</a> |                           |               | Clip, Wiring                            |
| 6    | <a href="#">33-2653</a> |                           |               | Bumper, Cabinet                         |
| 7    | 53-0727-25              |                           | Not Available | PANEL, FRONT (H WHT)GAS                 |
| 10   | 25-7820                 | <a href="#">489478</a>    |               | Screw, 8 X 1/2                          |
| "    | 25-7817                 |                           | Not Available | CLIP, U-TYPE                            |
| 11   | <a href="#">25-7220</a> |                           |               | Clip, Cabinet Top                       |
| 12   | 63-6148                 | <a href="#">53-0643</a>   |               | Pin, Locator                            |
| 13   | 25-0224                 | <a href="#">3400029</a>   |               | Nut, Adapter Plate                      |
| "    | <a href="#">53-0200</a> |                           |               | Sleeve, Locator Pin                     |
| 14   | 53-0917                 | <a href="#">12001324</a>  |               | Duct Kit, Collector                     |
| "    | 25-7810                 | <a href="#">415013-35</a> |               | Screw                                   |

|    |                         |                           |   |
|----|-------------------------|---------------------------|---|
| 15 | <a href="#">53-0204</a> |                           | Seal                                    |
| 16 | <a href="#">53-0123</a> |                           | Clip                                    |
| 17 | <a href="#">53-0918</a> |                           | Filter, Lint                            |
| 18 | 53-0282                 | <a href="#">31001637</a>  | Seal Assembly, Cylinder Front           |
| 19 | 53-0154-25              | Not Available             | PANEL, OUTER DOOR (H WHT)               |
| 20 | 53-0740                 | Not Available             | INNER DOOR                              |
| 21 | <a href="#">53-0119</a> |                           | Clip, Hinge                             |
| 22 | 53-0251                 | <a href="#">53-1490</a>   | Door Pad                                |
| 23 | 53-0252                 | <a href="#">53-1491</a>   | Door Pad                                |
| 24 | 25-7770                 | <a href="#">3196169</a>   | Screw, Element                          |
| "  | 53-0112                 | <a href="#">31001529</a>  | Seal, Door                              |
| 25 | 25-3534                 | <a href="#">25-7889</a>   | Plug Button                             |
| 26 | 53-0928                 | <a href="#">53-0927</a>   | Handle, Door                            |
| "  | 25-7810                 | <a href="#">415013-35</a> | Screw                                   |
| 27 | 53-0122                 | <a href="#">53-1492</a>   | Hinge, Dryer Door                       |
| "  | <a href="#">25-7809</a> |                           | Screw, No.6-20 1/2 Flthd Torx           |
| 28 | 53-0121                 | Not Available             | TWIN NUT                                |
| "  | <a href="#">LA-1003</a> |                           | Door Catch Kit                          |
| 29 | 73-0033                 | <a href="#">LA-1003</a>   | Door Catch Kit                          |
| 30 | 53-0187                 | <a href="#">LA-1003</a>   | Door Catch Kit                          |
| 31 | 25-7828                 | <a href="#">489483</a>    | Screw 10-32 X 1/2                       |
| "  | 53-0135                 | Not Available             | SUPPORT, POWER CORD                     |
| 32 | 25-7857                 | <a href="#">90767</a>     | Screw, 8A X 3/8 HeX Washer Head Tapping |
| "  | <a href="#">53-0284</a> |                           | Cover, Terminal                         |
| 33 | <a href="#">25-3457</a> |                           | Screw, Sems                             |
| "  | <a href="#">53-0133</a> |                           | Shield, Heat                            |
| 34 | <a href="#">LA-1005</a> |                           | Switch Kit                              |
| "  | 53-0772                 | <a href="#">21001495</a>  | Rack, Drying                            |
| 35 | 53-0147                 | <a href="#">53-0148</a>   | Switch, Door                            |
| 36 | 63-5990                 | <a href="#">31001319</a>  | Clip, Switch                            |

