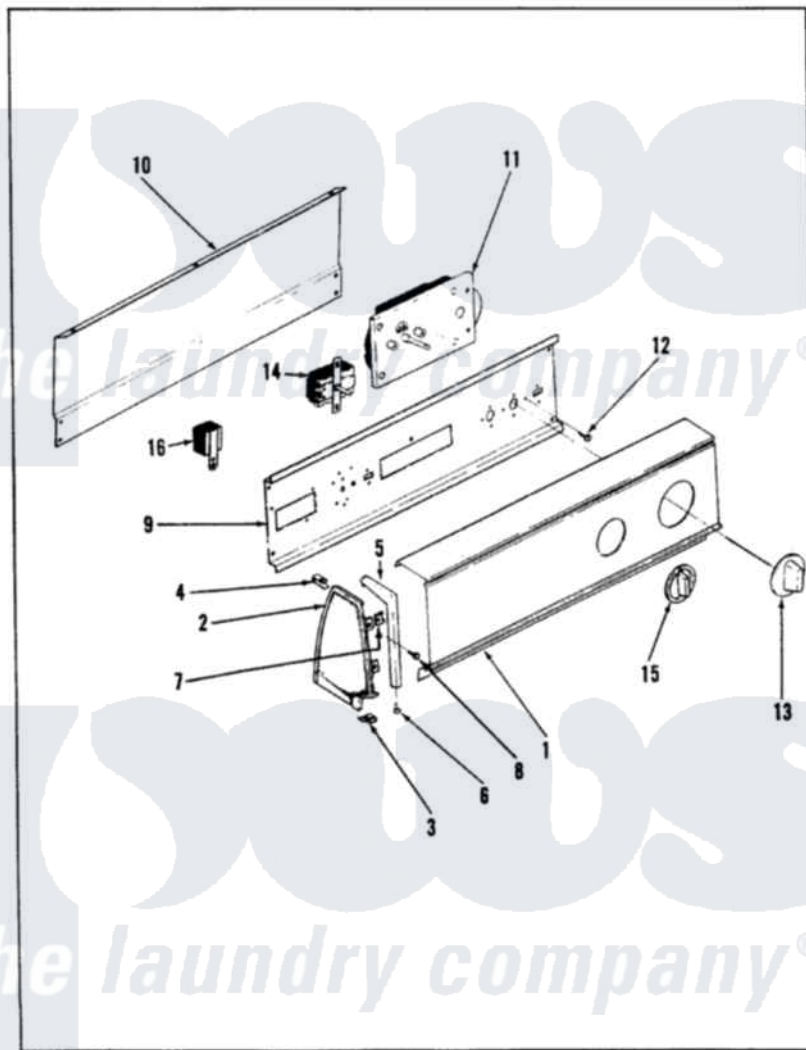


# Magic Chef YG20HA3 01 - CONTROL PANEL

MAGIC CHEF

YG20HN-3

BACKGUARD



ISSUED 5/89

Magic Chef [Residential Magic Chef YG20HA3 Dryer Parts](#) Parts Diagram 01 - CONTROL PANEL

[Click on the part number to view part](#)

| Item | Original Part Number    | Replaced By              | Status        | Part Description                    |
|------|-------------------------|--------------------------|---------------|-------------------------------------|
| 1    | 53-1276                 |                          | Not Available | CONTROL PANEL                       |
| 2    | 35-2488                 | <a href="#">21001452</a> |               | Cap- End                            |
| "    | 25-7649                 | <a href="#">910187</a>   |               | Screw                               |
| "    | 25-7697                 | <a href="#">25-2219</a>  |               | Screw                               |
| "    | <a href="#">25-7702</a> |                          |               | Speedclip, End Cap To Control Panel |
| "    | <a href="#">25-7851</a> |                          |               | Speedclip, End Cap To Top           |
| "    | 35-2487                 | <a href="#">21001451</a> |               | Cap- End                            |
| "    | <a href="#">53-0264</a> |                          |               | RH Endcap                           |
| "    | <a href="#">53-0265</a> |                          |               | LH Endcap                           |
| 3    | <a href="#">25-7851</a> |                          |               | Speedclip, End Cap To Top           |
| "    | 25-7697                 | <a href="#">25-2219</a>  |               | Screw                               |
| 4    | 25-7435                 | <a href="#">33002917</a> |               | Screw, No.10-16                     |
| "    | <a href="#">25-7852</a> |                          |               | Speedclip, Rr Shld To End Cap       |
| 5    | 53-0277                 |                          | Not Available | TRIM, END CAP (RT)                  |
| "    | 53-0278                 |                          | Not Available | TRIM, END CAP (LT)                  |

|    |                         |                          |   |
|----|-------------------------|--------------------------|---|
| 6  | <a href="#">25-7760</a> |                          | Screw                                   |
| 7  | <a href="#">25-7702</a> |                          | Speedclip, End Cap To Control Panel     |
| 8  | 25-3092                 | <a href="#">90767</a>    | Screw, 8A X 3/8 HeX Washer Head Tapping |
| 9  | <a href="#">53-1676</a> |                          | Shield, Control                         |
| "  | 53-0365                 | <a href="#">53-1676</a>  | Shield, Control                         |
| 10 | 35-2688                 | <a href="#">21001460</a> | Shield, Rear                            |
| "  | 53-0268                 | <a href="#">21001460</a> | Shield, Rear                            |
| 11 | 63-6752                 | Not Available            | TIMER MOTOR                             |
| "  | 53-1303                 | Not Available            | TIMER                                   |
| 12 | 25-0205                 | <a href="#">216412</a>   | Screw, Bracket To Timer                 |
| 13 | 53-1529                 | <a href="#">31001219</a> | Knob Ski                                |
| 14 | 25-3092                 | <a href="#">90767</a>    | Screw, 8A X 3/8 HeX Washer Head Tapping |
| "  | 53-0344                 | Not Available            | SWITCH, TEMPERATURE                     |
| 15 | 35-2185                 | <a href="#">21001283</a> | Knob, Selector---Piq                    |
| 16 | 63-6731                 | <a href="#">53-1639</a>  | Buzzer Assembly                         |
| "  | 53-1040                 | Not Available            | MANUAL, USE & CARE                      |
| "  | 25-3092                 | <a href="#">90767</a>    | Screw, 8A X 3/8 HeX Washer Head Tapping |

