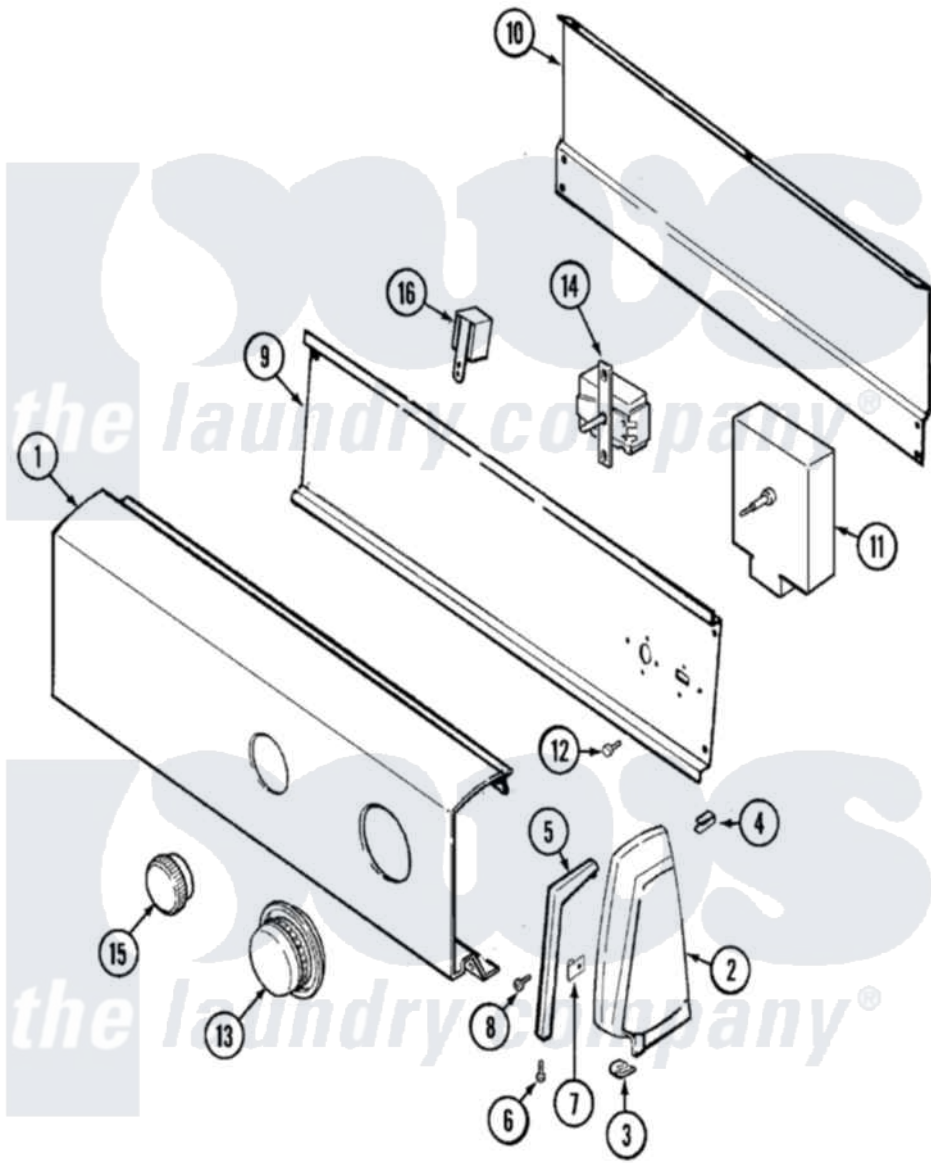


Magic Chef YG20HA3 02 - CONTROL PANEL (REV. J/10)



Magic Chef [Residential Magic Chef YG20HA3 Dryer Parts](#) Parts Diagram 02 - CONTROL PANEL (REV. J/10)
 Click on the part number to view part

Item	Original Part Number	Replaced By	Status	Part Description
1	53-1820		Not Available	CONTROL PANEL
2	25-7649	910187		Screw
"	25-7697	25-2219		Screw
"	25-7702			Speedclip, End Cap To Control Panel
"	25-7851			Speedclip, End Cap To Top
"	35-2487	21001451		Cap- End
"	35-2488	21001452		Cap- End
3	25-7851			Speedclip, End Cap To Top
"	25-7697	25-2219		Screw
4	25-7435	33002917		Screw, No.10-16
"	25-7852			Speedclip, Rr Shld To End Cap
5	53-0278		Not Available	TRIM, END CAP (LT)
"	53-0277		Not Available	TRIM, END CAP (RT)
6	25-7760			Screw
7	25-7702			Speedclip, End Cap To Control

	25-1192		Panel
8	25-3092	90767	Screw, 8A X 3/8 HeX Washer Head Tapping
9	31001146	31001193	Pad, Shield
"	31001128		Not Available SHIELD, CONTROL
"	53-1676		Shield, Control
10	35-2688	21001460	Shield, Rear
11	53-1758		Timer
12	25-7435	33002917	Screw, No.10-16
13	53-1529	31001219	Knob Ski
14	53-0344		Not Available SWITCH, TEMPERATURE
"	25-3092	90767	Screw, 8A X 3/8 HeX Washer Head Tapping
"	31001129		Switch, Temperature
15	35-2185	21001283	Knob, Selector---Piq
16	25-3092	90767	Screw, 8A X 3/8 HeX Washer Head Tapping
"	53-1639		Buzzer Assembly
17	53-1040		Not Available MANUAL, USE & CARE
"	53-1442		Not Available MANUAL, USE & CARE
18	16000326		Guide, Quick Ref - Jenn-Air

