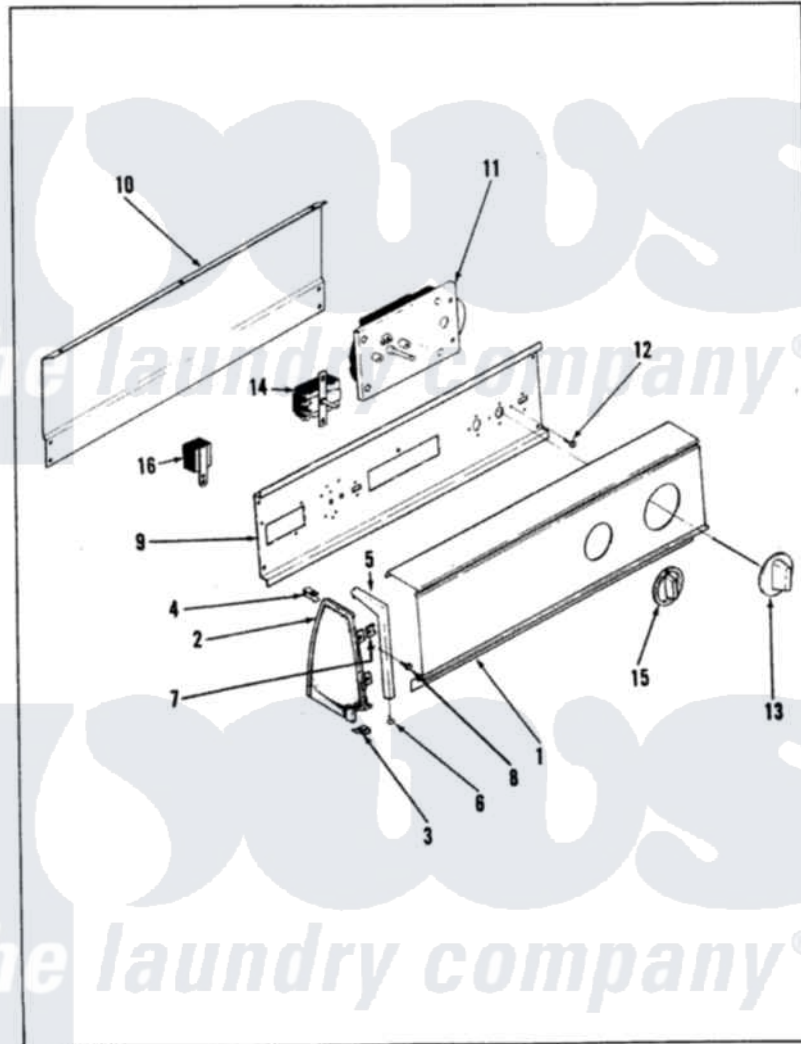


Magic Chef YG20HY2C 01 - CONTROL PANEL (REV. A-D)

MAGIC CHEF YG20HN-2C BACKGUARD



ISSUED 7/89

Magic Chef Residential Magic Chef YG20HY2C Dryer Parts Parts Diagram 01 - CONTROL PANEL (REV. A-D)
 Click on the part number to view part

Item	Original Part Number	Replaced By	Status	Part Description
1	53-1277		Not Available	CONTROL PANEL
2	53-0264			RH Endcap
"	25-7649	910187		Screw
"	25-7702			Speedclip, End Cap To Control Panel
"	35-2487	21001451		Cap- End
"	35-2488	21001452		Cap- End
"	53-0265			LH Endcap
3	25-7697	25-2219		Screw
"	25-7851			Speedclip, End Cap To Top
4	25-7852			Speedclip, Rr Shld To End Cap
"	25-7435	33002917		Screw, No.10-16
5	53-0278		Not Available	TRIM, END CAP (LT)
"	53-0277		Not Available	TRIM, END CAP (RT)
6	25-7760			Screw
7	25-7702			Speedclip, End Cap To Control

7	25-1192			Panel
8	25-3092	90767		Screw, 8A X 3/8 HeX Washer Head Tapping
9	53-1676			Shield, Control
"	53-0365	53-1676		Shield, Control
10	35-2688	21001460		Shield, Rear
"	53-0268	21001460		Shield, Rear
11	53-1301			Timer
"	53-1547			Timer
"	63-6752		Not Available	TIMER MOTOR
12	25-0205	216412		Screw, Bracket To Timer
13	53-1529	31001219		Knob Ski
14	53-0456			Switch, Selector
"	25-3092	90767		Screw, 8A X 3/8 HeX Washer Head Tapping
15	35-2185	21001283		Knob, Selector---Piq
16	53-1529	31001219		Knob Ski
"	63-6731	53-1639		Buzzer Assembly
"	25-3092	90767		Screw, 8A X 3/8 HeX Washer Head Tapping
17	63-5577-1		Not Available	MANUAL, USE & CARE

