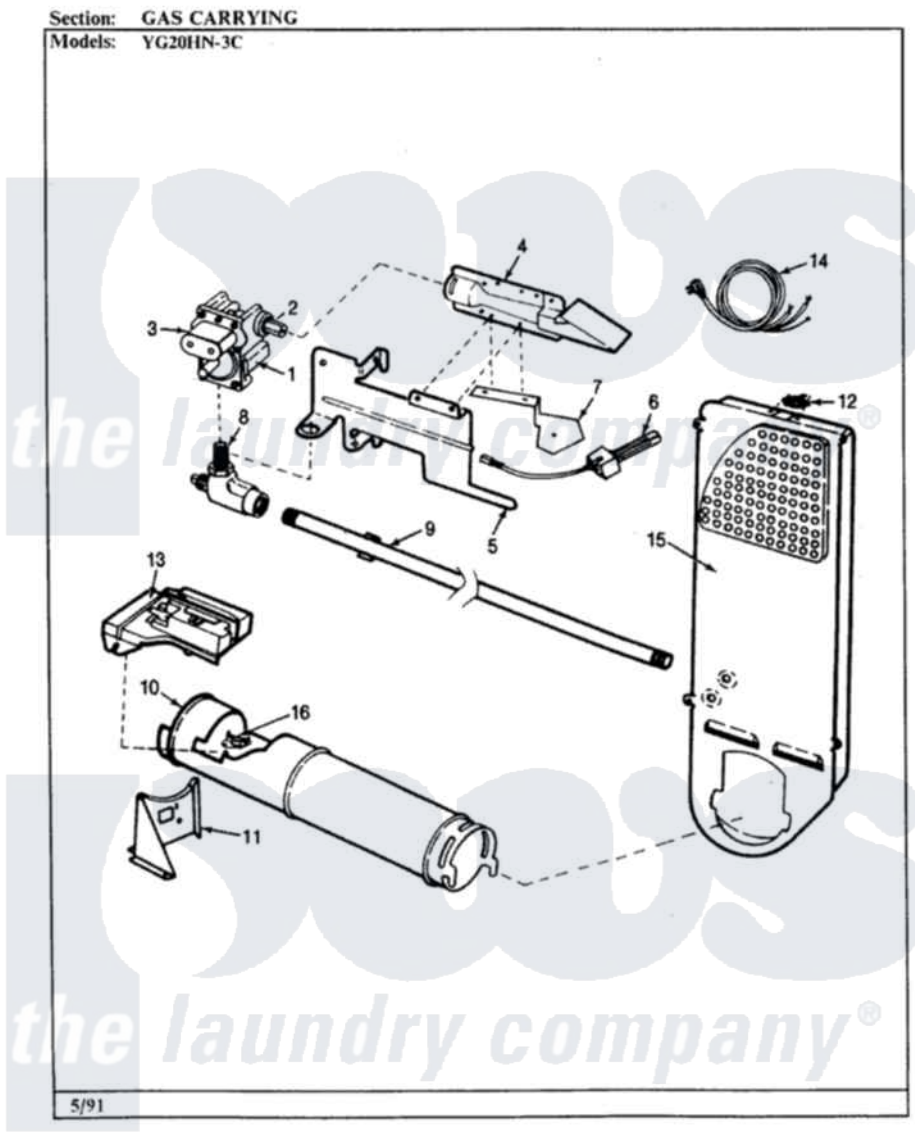


# Magic Chef YG20HY3C 04 - GAS CARRYING (REV. A-B)



Magic Chef [Residential Magic Chef YG20HY3C Dryer Parts](#) Parts Diagram 04 - GAS CARRYING (REV. A-B)  
Click on the part number to view part

Item	Original Part Number	Replaced By	Status	Part Description
1	53-0194	<a href="#">306176</a>		Valve, Gas
2	<a href="#">63-3570</a>			Burner Orifice
3	63-6615	<a href="#">279834</a>		Coil-Valve
4	63-6682	<a href="#">31001784</a>		Burner
5	25-7741	<a href="#">W10116760</a>		Screw
"	<a href="#">53-0140</a>			Mtg Bracket
6	53-0689	<a href="#">31001556</a>		Igniter
7	25-7744	<a href="#">8281196</a>		Screw
"	53-0686		Not Available	BRACKET
"	<a href="#">25-3034</a>			Clip, Wiring
"	25-2134	<a href="#">W10116760</a>		Screw
8	53-0101	<a href="#">31001042</a>		Valve, Gas Shut Off
9	53-0173	<a href="#">31001777</a>		Main Gas L
10	<a href="#">53-1884</a>			Housing, Heater
"	25-3032		Not Available	WIRING CLIP
"	53-0138		Not Available	HEATER HOUSING

11	25-7741	<a href="#">W10116760</a>	Screw
"	53-0139		Not Available HEATER SUPPORT
"	25-3092	<a href="#">90767</a>	Screw, 8A X 3/8 HeX Washer Head Tapping
12	<a href="#">25-0168</a>		Screw
"	53-0143	<a href="#">LA-1053</a>	Fuse Kit, Thermal
13	63-5013	<a href="#">338906</a>	Radiant, Sensor
"	25-2134	<a href="#">W10116760</a>	Screw
14	63-6259	<a href="#">31001547</a>	Cord, Power
15	53-0169		Not Available INLET AIR DUCT
16	<a href="#">LA-1053</a>		Fuse Kit, Thermal
"	53-1096	<a href="#">LA-1053</a>	Fuse Kit, Thermal
"	<a href="#">63-6766</a>		Conversion Kit

*the laundry company*<sup>®</sup>

*the laundry company*<sup>®</sup>

*the laundry company*<sup>®</sup>