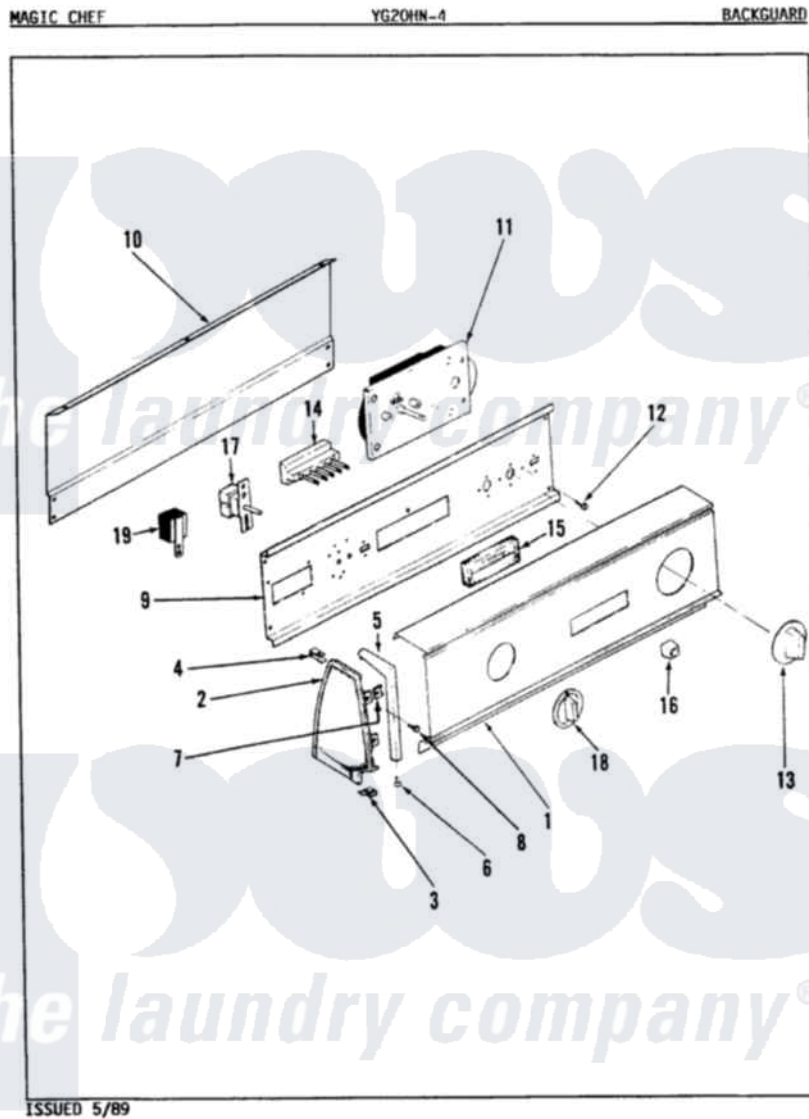


# Magic Chef YG20HY4 01 - CONTROL PANEL



Magic Chef [Residential Magic Chef YG20HY4 Dryer Parts](#) Parts Diagram 01 - CONTROL PANEL  
 Click on the part number to view part

Item	Original Part Number	Replaced By	Status	Part Description
1	53-1275	<a href="#">53-1821</a>		Control Panel
2	<a href="#">53-0265</a>			LH Endcap
"	25-7649	<a href="#">910187</a>		Screw
"	<a href="#">53-0264</a>			RH Endcap
"	<a href="#">25-7702</a>			Speedclip, End Cap To Control Panel
3	25-7697	<a href="#">25-2219</a>		Screw
"	<a href="#">25-7851</a>			Speedclip, End Cap To Top
4	25-7435	<a href="#">33002917</a>		Screw, No.10-16
"	<a href="#">25-7852</a>			Speedclip, Rr Shld To End Cap
5	53-0277		Not Available	TRIM, END CAP (RT)
"	53-0278		Not Available	TRIM, END CAP (LT)
6	<a href="#">25-7760</a>			Screw
7	25-7435	<a href="#">33002917</a>		Screw, No.10-16
8	25-3092	<a href="#">90767</a>		Screw, 8A X 3/8 HeX Washer Head Tapping

9	53-0323	Not Available	CONTROL SHIELD
10	<a href="#">25-3457</a>		Screw, Sems
"	<a href="#">25-3457</a>		Screw, Sems
"	53-0268	<a href="#">21001460</a>	Shield, Rear
11	53-1300	Not Available	TIMER
"	63-5685	<a href="#">63-5613</a>	Timer
12	25-0205	<a href="#">216412</a>	Screw, Bracket To Timer
13	53-1529	<a href="#">31001219</a>	Knob Ski
14	25-3092	<a href="#">90767</a>	Screw, 8A X 3/8 HeX Washer Head Tapping
"	25-7712	Not Available	SCREW
"	33-6621	Not Available	BRACKET, SWITCH
"	<a href="#">53-1296</a>		Switch
15	33-8541	Not Available	SWITCH PAD
16	<a href="#">35-0385</a>		Pushbutton
17	25-3092	<a href="#">90767</a>	Screw, 8A X 3/8 HeX Washer Head Tapping
"	<a href="#">53-1263</a>		Rotary Switch
18	35-2185	<a href="#">21001283</a>	Knob, Selector---Piq
19	63-6731	<a href="#">53-1639</a>	Buzzer Assembly
"	53-1040	Not Available	MANUAL, USE & CARE
"	25-3092	<a href="#">90767</a>	Screw, 8A X 3/8 HeX Washer Head Tapping

