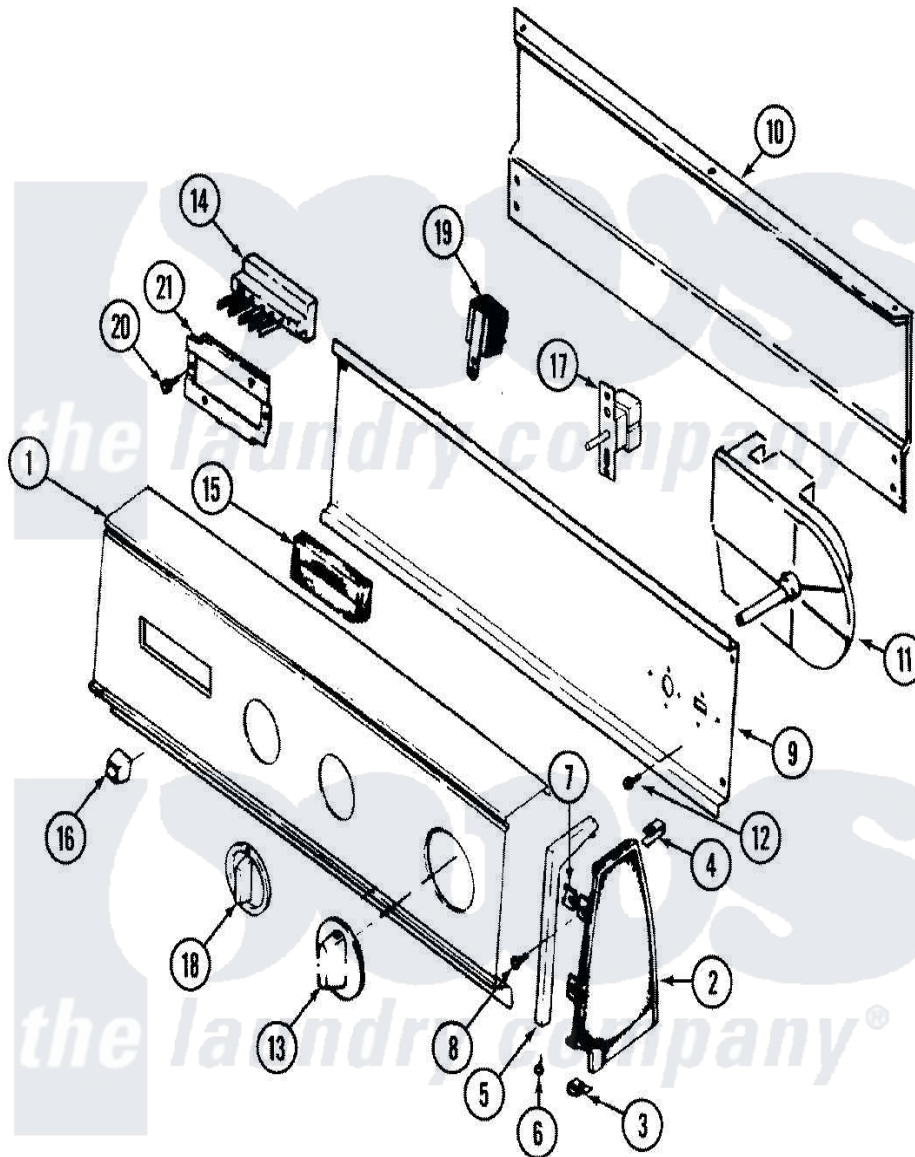


# Magic Chef YG20JA4 02 - CONTROL PANEL (REV. F)



Magic Chef [Residential Magic Chef YG20JA4 Dryer Parts](#) Parts Diagram 02 - CONTROL PANEL (REV. F)  
 Click on the part number to view part

Item	Original Part Number	Replaced By	Status	Part Description
1	53-1275	<a href="#">53-1821</a>		Control Panel
2	35-2488	<a href="#">21001452</a>		Cap- End
"	<a href="#">25-7702</a>			Speedclip, End Cap To Control Panel
"	25-7649	<a href="#">910187</a>		Screw
"	35-2487	<a href="#">21001451</a>		Cap- End
3	<a href="#">25-7851</a>			Speedclip, End Cap To Top
"	25-7697	<a href="#">25-2219</a>		Screw
4	W10124350		Not Available	NOT REQUIRED PART OR SEE NOTE
"	25-7435	<a href="#">33002917</a>		Screw, No. 10-16
5	53-0278		Not Available	TRIM, END CAP (LT)
"	53-0277		Not Available	TRIM, END CAP (RT)
6	<a href="#">25-7760</a>			Screw
7	25-7435	<a href="#">33002917</a>		Screw, No. 10-16
8	25-3092	<a href="#">90767</a>		Screw, 8A X 3/8 HeX Washer Head Tapping

9	53-1678	Not Available	CONTROL SHIELD
10	35-2688	<a href="#">21001460</a>	Shield, Rear
"	<a href="#">25-3457</a>		Screw, Sems
11	53-1816	Not Available	TIMER
12	25-7435	<a href="#">33002917</a>	Screw, No.10-16
13	53-1529	<a href="#">31001219</a>	Knob Ski
14	25-3092	<a href="#">90767</a>	Screw, 8A X 3/8 HeX Washer Head Tapping
"	<a href="#">53-1296</a>		Switch
15	33-8541	Not Available	SWITCH PAD
16	35-2588	Not Available	PUSHBUTTON - BLACK
17	25-3092	<a href="#">90767</a>	Screw, 8A X 3/8 HeX Washer Head Tapping
"	<a href="#">53-1263</a>		Rotary Switch
18	35-2185	<a href="#">21001283</a>	Knob, Selector---Piq
19	63-6731	<a href="#">53-1639</a>	Buzzer Assembly
"	25-3092	<a href="#">90767</a>	Screw, 8A X 3/8 HeX Washer Head Tapping
20	25-7712	Not Available	SCREW
21	33-6621	Not Available	BRACKET, SWITCH
22	53-1444	Not Available	MANUAL, USE & CARE

