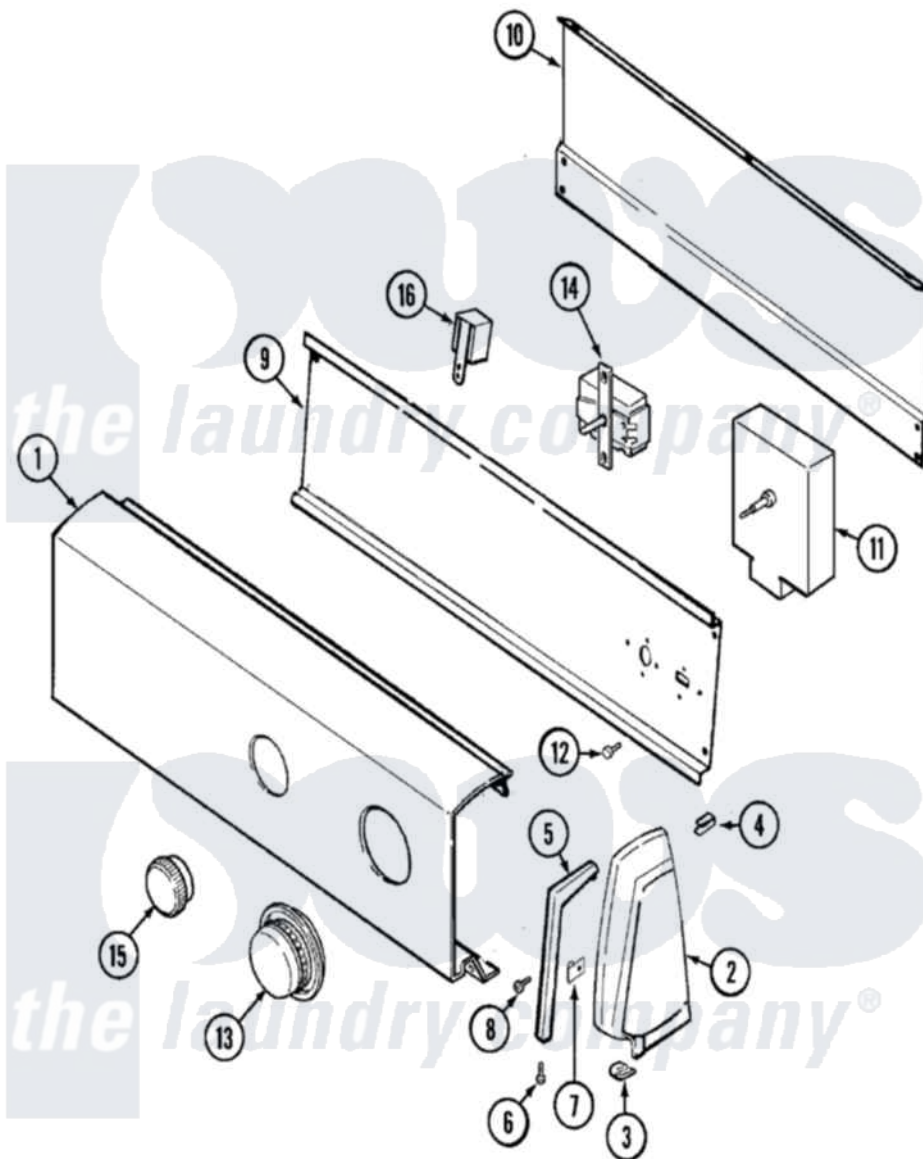


Magic Chef YG20JN1C 02 - CONTROL PANEL (REV. A)



Magic Chef [Residential Magic Chef YG20JN1C Dryer Parts](#) Parts Diagram 02 - CONTROL PANEL (REV. A)
 Click on the part number to view part

Item	Original Part Number	Replaced By	Status	Part Description
1	53-1277		Not Available	CONTROL PANEL
2	35-2487	21001451		Cap- End
"	25-7649	910187		Screw
"	25-7702			Speedclip, End Cap To Control Panel
"	35-2488	21001452		Cap- End
3	25-7697	25-2219		Screw
"	25-7851			Speedclip, End Cap To Top
4	25-7435	33002917		Screw, No.10-16
"	25-7852			Speedclip, Rr Shld To End Cap
5	53-0278		Not Available	TRIM, END CAP (LT)
"	53-0277		Not Available	TRIM, END CAP (RT)
6	25-7760			Screw
7	25-7702			Speedclip, End Cap To Control Panel
8	25-3092	90767		Screw, 8A X 3/8 HeX Washer Head Tapping

9	53-1676		Shield, Control
10	35-2688	21001460	Shield, Rear
11	53-1547		Timer
"	53-0635	Not Available	TIMER MOTOR
"	53-1803		Timer
12	25-0205	216412	Screw, Bracket To Timer
"	25-7435	33002917	Screw, No.10-16
13	53-1529	31001219	Knob Ski
"	25-3092	90767	Screw, 8A X 3/8 HeX Washer Head Tapping
14	53-1905	Not Available	MANUAL, USE & CARE
"	25-3092	90767	Screw, 8A X 3/8 HeX Washer Head Tapping
"	53-1639		Buzzer Assembly

the laundry company[®]

Howes
the laundry company[®]

Howes
the laundry company[®]