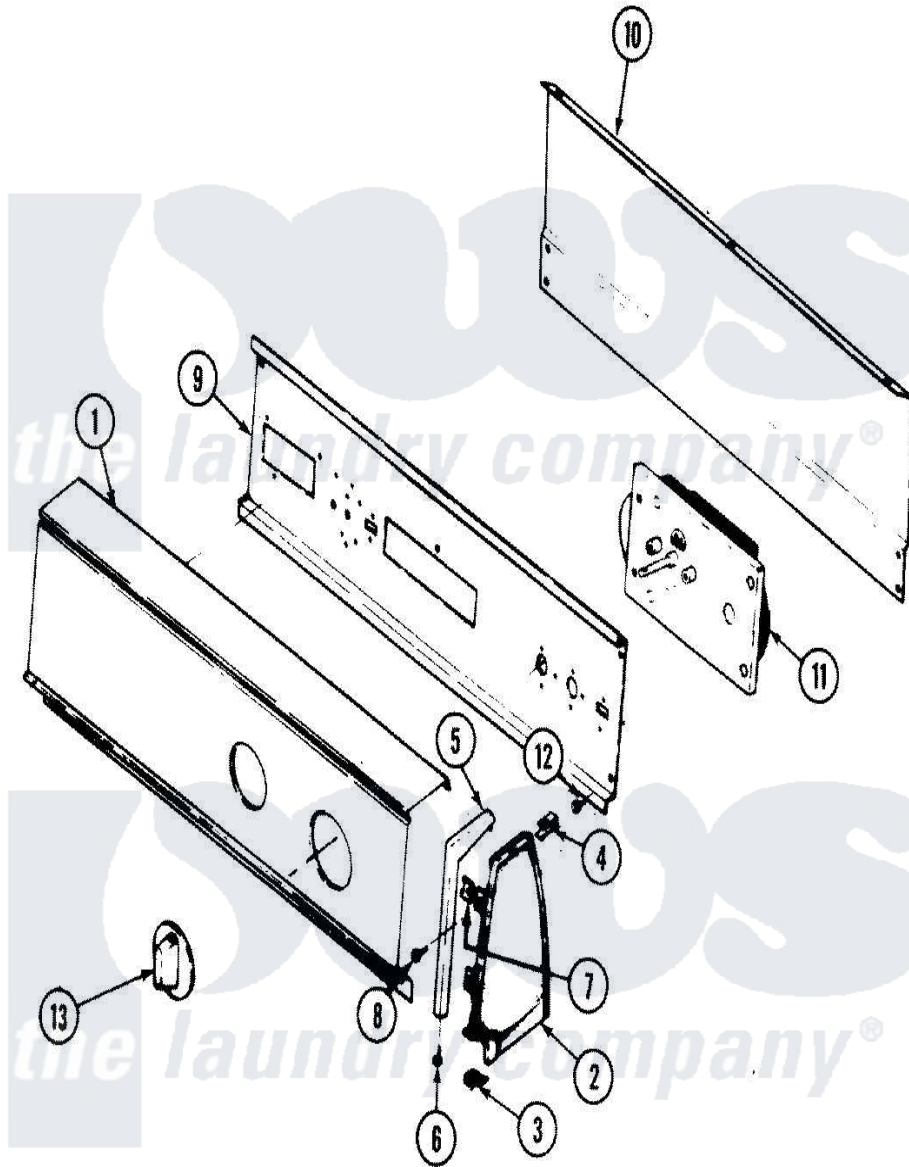


# Magic Chef YG20JN2C 02 - CONTROL PANEL (REV. A)



Magic Chef [Residential Magic Chef YG20JN2C Dryer Parts](#) Parts Diagram 02 - CONTROL PANEL (REV. A)  
 Click on the part number to view part

Item	Original Part Number	Replaced By	Status	Part Description
1	53-1890		Not Available	CONTROL PANEL
2	35-2488	<a href="#">21001452</a>		Cap- End
"	25-7649	<a href="#">910187</a>		Screw
"	<a href="#">25-7702</a>			Speedclip, End Cap To Control Panel
"	35-2487	<a href="#">21001451</a>		Cap- End
3	25-7697	<a href="#">25-2219</a>		Screw
"	<a href="#">25-7851</a>			Speedclip, End Cap To Top
4	25-7435	<a href="#">33002917</a>		Screw, No.10-16
"	W10124350		Not Available	NOT REQUIRED PART OR SEE NOTE
5	53-0278		Not Available	TRIM, END CAP (LT)
"	53-0277		Not Available	TRIM, END CAP (RT)
6	<a href="#">25-7760</a>			Screw
7	<a href="#">25-7702</a>			Speedclip, End Cap To Control Panel
8	25-3092	<a href="#">90767</a>		Screw, 8A X 3/8 HeX Washer Head Tapping

9	<a href="#">53-1676</a>		Shield, Control
10	35-2688	<a href="#">21001460</a>	Shield, Rear
11	53-0635		Not Available
"	<a href="#">53-1758</a>		TIMER MOTOR
"	53-1303		Timer
"	53-1303		Not Available
"	53-1303		TIMER
12	25-7435	<a href="#">33002917</a>	Screw, No.10-16
"	25-0205	<a href="#">216412</a>	Screw, Bracket To Timer
13	<a href="#">53-1639</a>		Buzzer Assembly
"	53-1529	<a href="#">31001219</a>	Knob Ski
"	25-3092	<a href="#">90767</a>	Screw, 8A X 3/8 HeX Washer Head Tapping
14	53-1906		Not Available
			MANUAL, USE & CARE

*the laundry company*<sup>®</sup>

*the laundry company*<sup>®</sup>

*the laundry company*<sup>®</sup>