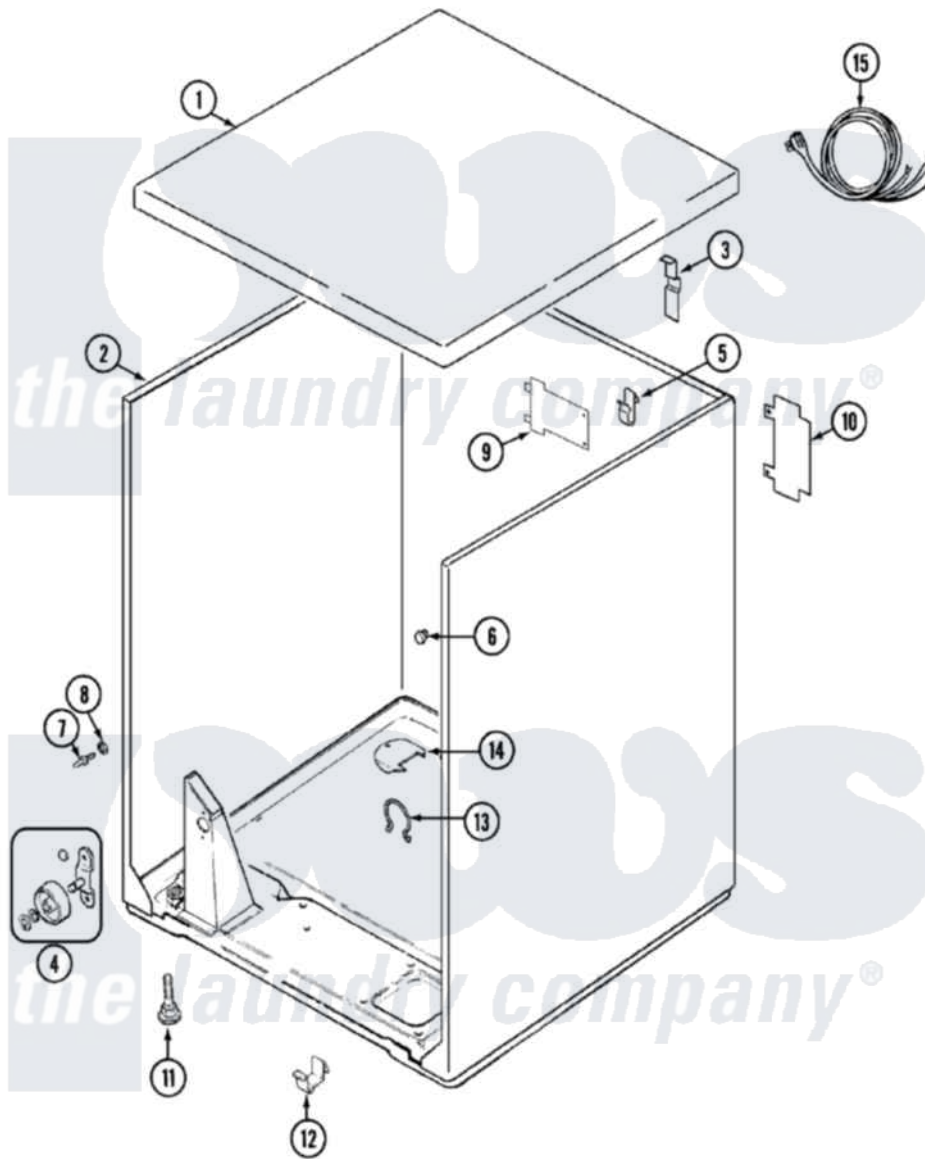


# Magic Chef YG228LM 01 - CABINET



Magic Chef [Residential Magic Chef YG228LM Dryer Parts](#) Parts Diagram 01 - CABINET  
 Click on the part number to view part

Item	Original Part Number	Replaced By	Status	Part Description
1	<a href="#">53-2435-24</a>			Top, Cabinet
2	53-2147-24	<a href="#">31001715</a>		Cabinet And Base Assembly
3	25-3092	<a href="#">90767</a>		Screw, 8A X 3/8 HeX Washer Head Tapping
"	<a href="#">63-5712</a>			Hinge, Cabinet Top
"	<a href="#">33-0930</a>			Pad, Top Hinge
4	LA-1007	<a href="#">12002126</a>		Reinforcement Brace/Glide Kit
"	<a href="#">LA-1008</a>			Rr Roller Kit
5	<a href="#">25-3034</a>			Clip, Wiring
6	<a href="#">33-2653</a>			Bumper, Cabinet
7	<a href="#">53-0643</a>			Pin, Locator
8	<a href="#">53-0200</a>			Sleeve, Locator Pin
"	25-0224	<a href="#">3400029</a>		Nut, Adapter Plate
9	25-7857	<a href="#">90767</a>		Screw, 8A X 3/8 HeX Washer Head Tapping
"	<a href="#">53-0136</a>			Cover, Supply Cord
10	<a href="#">53-0284</a>			Cover, Terminal

"	25-7857	<a href="#">90767</a>	Screw, 8A X 3/8 HeX Washer Head Tapping
11	63-5834	Not Available	LEG, LEVELING
12	<a href="#">53-0120</a>		Clip, Front Panel
13	25-7027	<a href="#">16515</a>	Clip
14	<a href="#">53-1921</a>		Shield, Wiring
"	25-7733	<a href="#">681414</a>	Screw, 10AB X 1/2
15	63-6259	<a href="#">31001547</a>	Cord, Power

