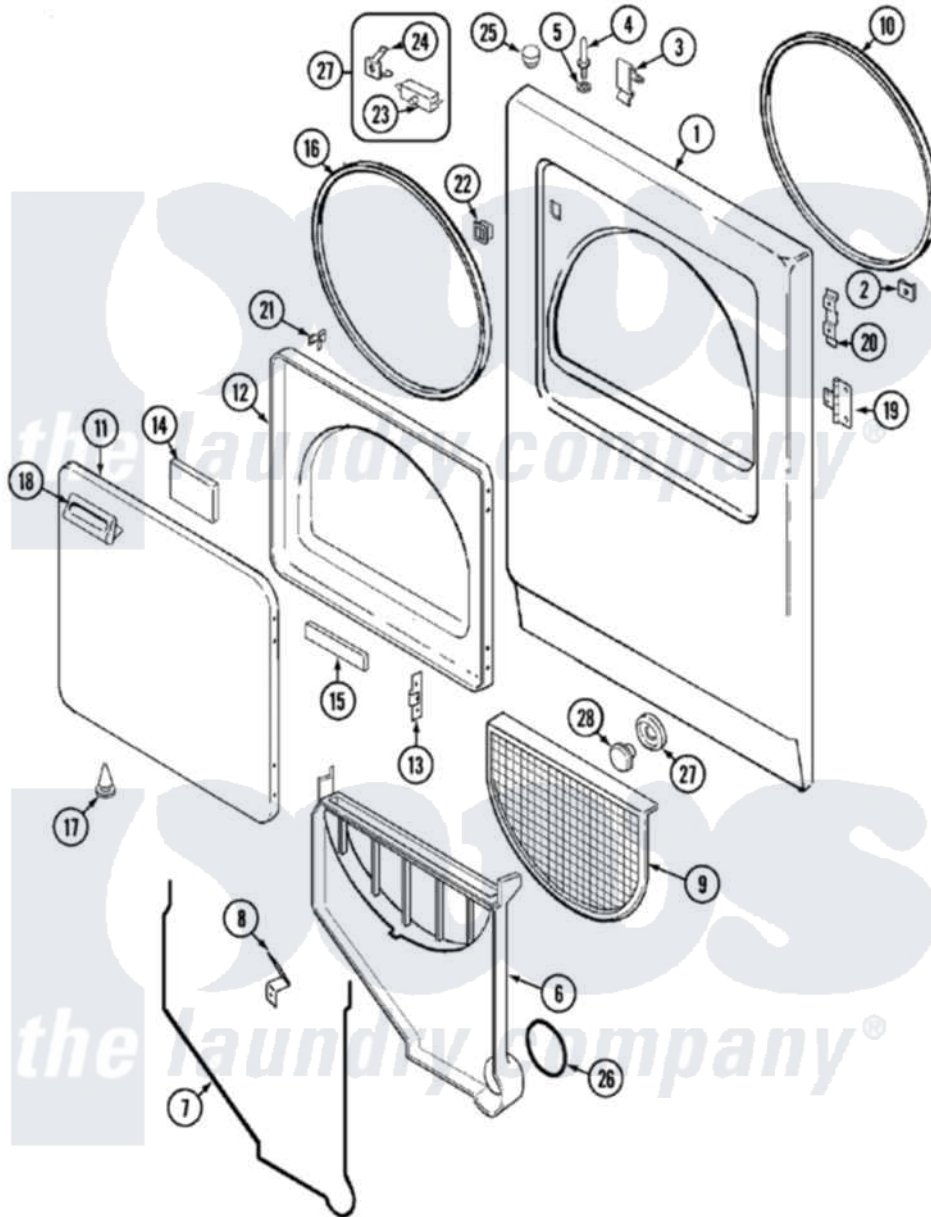


# Magic Chef YG228LM 03 - DOOR



Magic Chef Residential Magic Chef YG228LM Dryer Parts Parts Diagram 03 - DOOR  
 Click on the part number to view part

| Item | Original Part Number       | Replaced By               | Status        | Part Description        |
|------|----------------------------|---------------------------|---------------|-------------------------|
| 1    | 53-0727-24                 |                           | Not Available | PANEL, FRONT (ALM)GAS   |
| 2    | 25-7817                    |                           | Not Available | CLIP, U-TYPE            |
| "    | 25-7820                    | <a href="#">489478</a>    |               | Screw, 8 X 1/2          |
| 3    | <a href="#">25-7220</a>    |                           |               | Clip, Cabinet Top       |
| 4    | <a href="#">53-0643</a>    |                           |               | Pin, Locator            |
| 5    | <a href="#">53-0200</a>    |                           |               | Sleeve, Locator Pin     |
| "    | 25-0224                    | <a href="#">3400029</a>   |               | Nut, Adapter Plate      |
| 6    | 25-7810                    | <a href="#">415013-35</a> |               | Screw                   |
| "    | 53-1299                    | <a href="#">12001324</a>  |               | Duct Kit, Collector     |
| 7    | <a href="#">53-0204</a>    |                           |               | Seal                    |
| 8    | <a href="#">53-0123</a>    |                           |               | Clip                    |
| 9    | <a href="#">53-0918</a>    |                           |               | Filter, Lint            |
| 10   | 53-1756                    | <a href="#">31001747</a>  |               | Seal Assembly           |
| 11   | <a href="#">53-0154-24</a> |                           |               | Panel, Outer Door       |
| "    | 25-7770                    | <a href="#">3196169</a>   |               | Screw, Element          |
| 12   | 53-0912-24                 |                           | Not Available | PANEL, INNER DOOR (ALM) |

|    |                         |                           |                               |
|----|-------------------------|---------------------------|-------------------------------|
| 13 | <a href="#">53-0119</a> |                           | Clip, Hinge                   |
| 14 | <a href="#">53-1490</a> |                           | Door Pad                      |
| 15 | <a href="#">53-1491</a> |                           | Door Pad                      |
| 16 | 53-0648                 | <a href="#">31001529</a>  | Seal, Door                    |
| 17 | 25-3534                 | <a href="#">25-7889</a>   | Plug Button                   |
| 18 | 31001115                | <a href="#">31001482</a>  | Handle, Door                  |
| "  | 25-7810                 | <a href="#">415013-35</a> | Screw                         |
| 19 | <a href="#">53-1492</a> |                           | Hinge, Dryer Door             |
| "  | <a href="#">25-7809</a> |                           | Screw, No.6-20 1/2 Flthd Torx |
| 20 | 53-0121                 | Not Available             | TWIN NUT                      |
| 21 | 73-0033                 | <a href="#">LA-1003</a>   | Door Catch Kit                |
| "  | <a href="#">LA-1003</a> |                           | Door Catch Kit                |
| 22 | 53-0187                 | <a href="#">LA-1003</a>   | Door Catch Kit                |
| 23 | <a href="#">53-0148</a> |                           | Switch, Door                  |
| 24 | 63-5990                 | <a href="#">31001319</a>  | Clip, Switch                  |
| 25 | <a href="#">33-2653</a> |                           | Bumper, Cabinet               |
| 26 | 53-0203                 | <a href="#">12001324</a>  | Duct Kit, Collector           |
| 27 | <a href="#">LA-1005</a> |                           | Switch Kit                    |
| 28 | 53-0161                 | Not Available             | PLUG, GAS ACCESS (ALM)        |
| 29 | 53-0162                 | Not Available             | BUTTON, GAS ACCESS (ALM)      |

