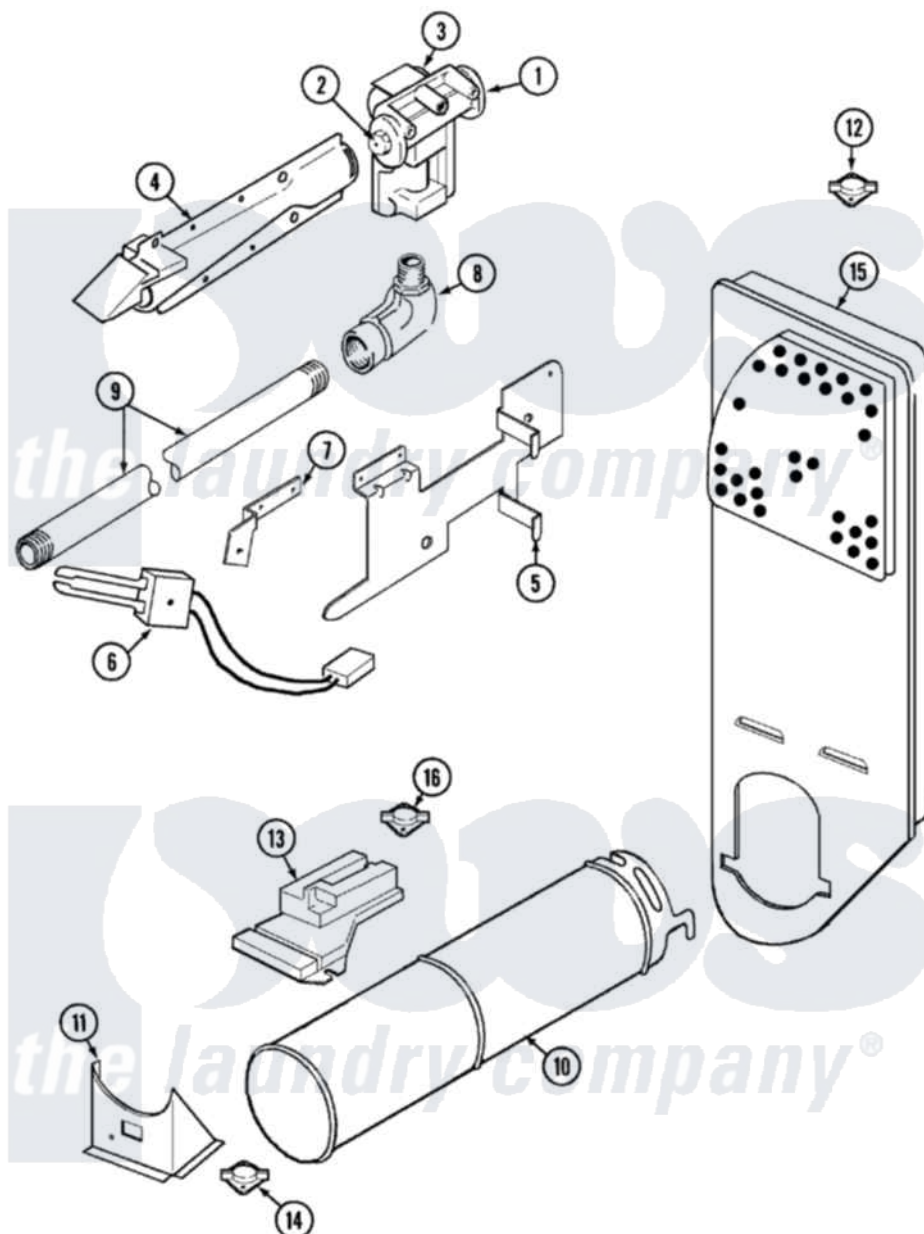


# Magic Chef YG228LV 04 - GAS CARRYING



Magic Chef [Residential Magic Chef YG228LV Dryer Parts](#) Parts Diagram 04 - GAS CARRYING  
 Click on the part number to view part

Item	Original Part Number	Replaced By	Status	Part Description
1	<a href="#">31001485</a>			Valve, Gas
"	<a href="#">60-6846</a>			Union Nut
"	31001368		Not Available	TAIL PIECE
2	<a href="#">63-3570</a>			Burner Orifice
3	63-6615	<a href="#">279834</a>		Coil-Valve
"	63-6614	<a href="#">279834</a>		Coil-Valve
4	63-6682	<a href="#">31001784</a>		Burner
5	<a href="#">25-3034</a>			Clip, Wiring
"	25-7741	<a href="#">W10116760</a>		Screw
"	<a href="#">53-0140</a>			Mtg Bracket
6	25-7744	<a href="#">8281196</a>		Screw
"	53-0689	<a href="#">31001556</a>		Igniter
7	25-2134	<a href="#">W10116760</a>		Screw
"	53-0686		Not Available	BRACKET
8	<a href="#">31001042</a>			Valve, Gas Shut Off
9	53-2362	<a href="#">31001777</a>		Main Gas L

10	<a href="#">53-1884</a>		Housing, Heater
"	25-7741	<a href="#">W10116760</a>	Screw
11	25-3092	<a href="#">90767</a>	Screw, 8A X 3/8 HeX Washer Head Tapping
"	<a href="#">53-2363</a>		Support, Heater Housing
12	<a href="#">25-0168</a>		Screw
"	53-0143	<a href="#">LA-1053</a>	Fuse Kit, Thermal
13	25-2134	<a href="#">W10116760</a>	Screw
"	63-5013	<a href="#">338906</a>	Radiant, Sensor
14	<a href="#">LA-1053</a>		Fuse Kit, Thermal
"	<a href="#">25-0168</a>		Screw
15	25-7819	<a href="#">M0217225</a>	Screw
"	<a href="#">53-1706</a>		Inlet Air Duct Assembly
"	25-7741	<a href="#">W10116760</a>	Screw
16	53-1096	<a href="#">LA-1053</a>	Fuse Kit, Thermal
17	<a href="#">63-6766</a>		Conversion Kit
"	<a href="#">12001031</a>		Conversion Kit

