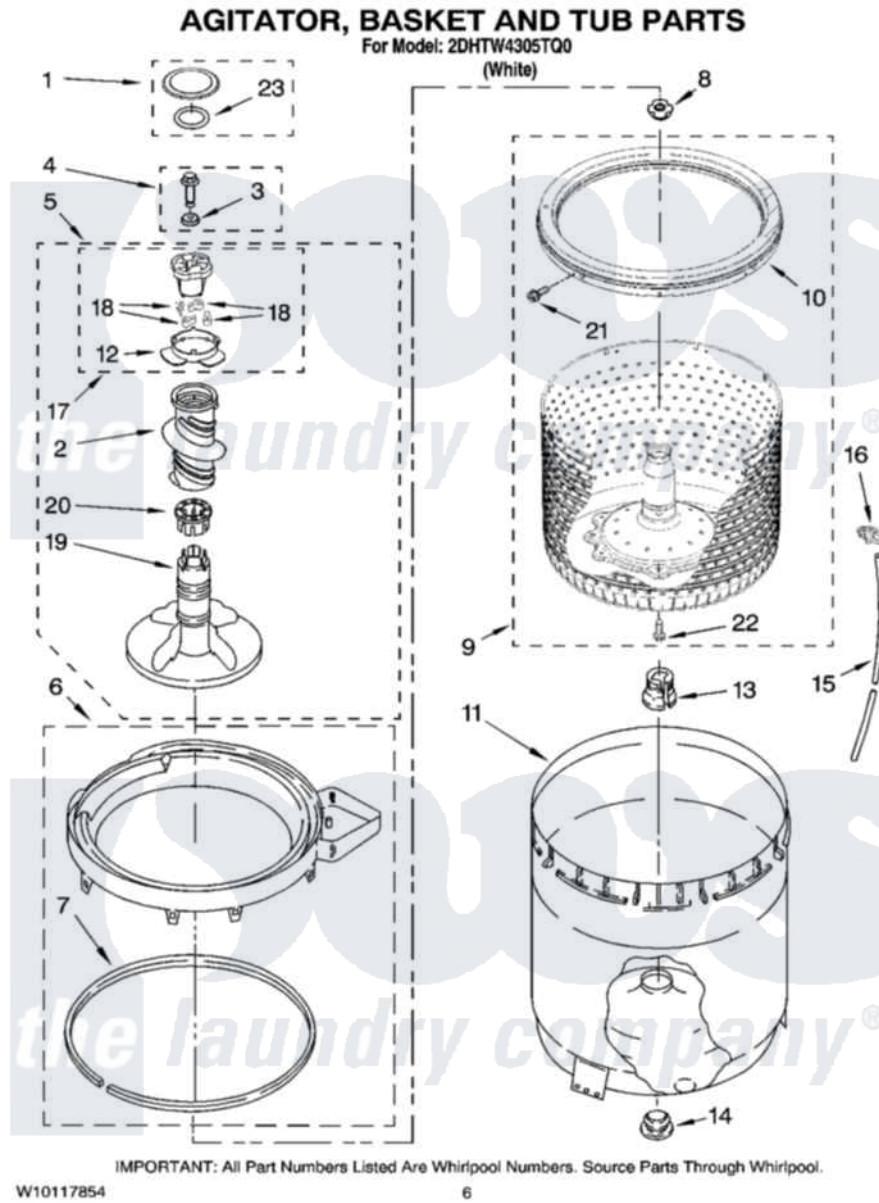


# Maytag 2DHTW4305TQ0 03 - AGITATOR, BASKET AND TUB PARTS



Maytag [Residential Maytag 2DHTW4305TQ0 Washer Parts](#) Parts Diagram 03 - AGITATOR, BASKET AND TUB PARTS

Click on the part number to view part

| Item | Original Part Number      | Replaced By               | Status | Part Description           |
|------|---------------------------|---------------------------|--------|----------------------------|
| 1    | <a href="#">8565983</a>   |                           |        | Cap And Seal Assembly      |
| 2    | <a href="#">3360824</a>   |                           |        | Auger, Agitator            |
| 3    | <a href="#">3949550</a>   |                           |        | Washer                     |
| 4    | <a href="#">358237</a>    |                           |        | Screw And Washer           |
| 5    | <a href="#">W10093671</a> |                           |        | Agitator                   |
| 6    | 8528150                   | <a href="#">W10445870</a> |        | Ring-Tub                   |
| 7    | <a href="#">3976308</a>   |                           |        | Gasket, Tub Ring           |
| 8    | <a href="#">21366</a>     |                           |        | Nut, Spanner               |
| 9    | <a href="#">W10042080</a> |                           |        | Basket And Balance Ring    |
| 10   | <a href="#">W10116946</a> |                           |        | Balance Ring               |
| 11   | <a href="#">63849</a>     |                           |        | Strain Relief, Power Cord  |
| 12   | <a href="#">3363661</a>   |                           |        | Bearing, Driven Cam        |
| 13   | <a href="#">389140</a>    |                           |        | Tub Block, Basket Drive    |
| 14   | <a href="#">383727</a>    |                           |        | Gasket, Centerpodt         |
| 15   | 3347780                   | <a href="#">353244</a>    |        | Hose, Pressure Switch      |
| 16   | <a href="#">2219077</a>   |                           |        | Clip, Pressure Switch Hose |

|    |                           |                        |                         |
|----|---------------------------|------------------------|-------------------------|
| 17 | 3363662                   | <a href="#">285748</a> | Cam-Agitator            |
| 18 | 3366877                   | <a href="#">80040</a>  | Dog-Agitator            |
| 19 | <a href="#">W10093670</a> |                        | Agitator                |
| 20 | 3350389                   | <a href="#">285587</a> | Washer                  |
| 21 | <a href="#">W10112540</a> |                        | Screw, Balance Ring     |
| 22 | <a href="#">W10112537</a> |                        | Screw, Adapter Assembly |
| 23 | <a href="#">358912</a>    |                        | Seal, Agitator Cap      |

