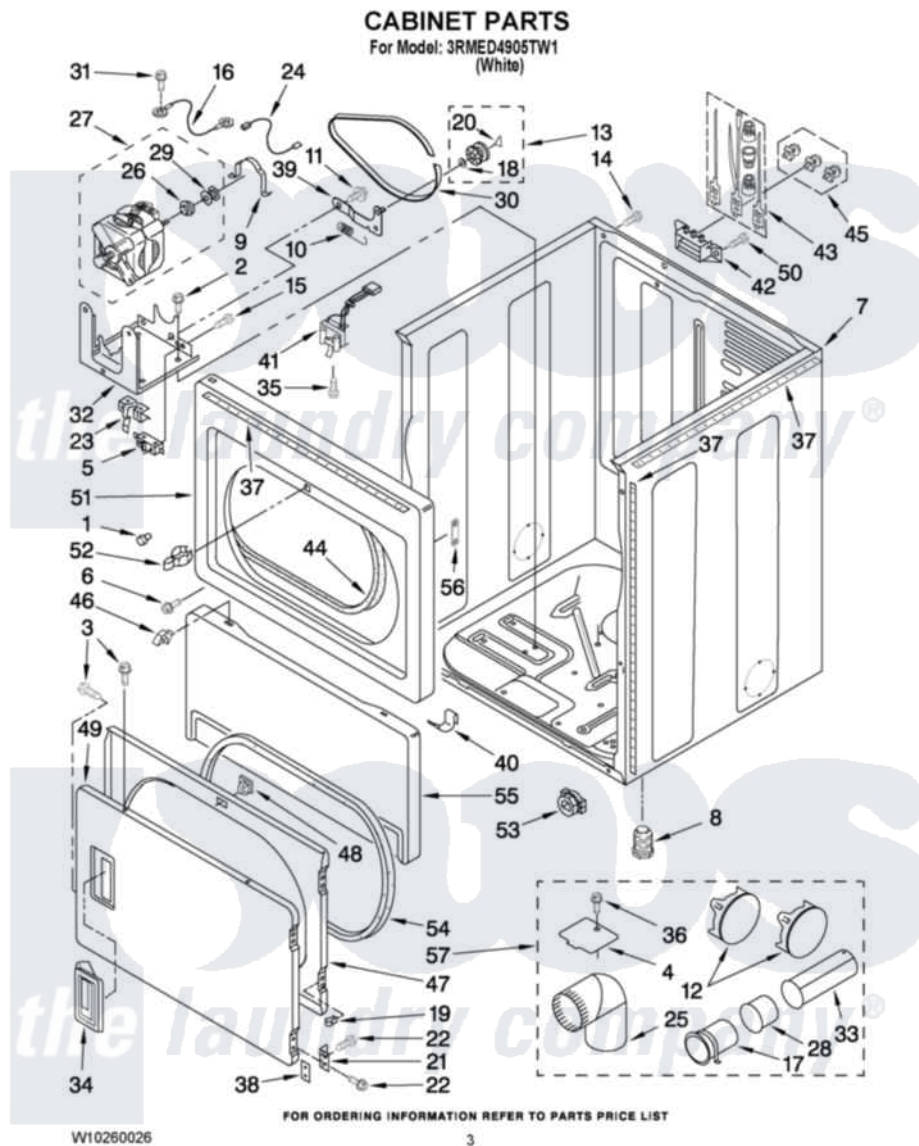


# Maytag 3RMED4905TW1 02 - CABINET PARTS



Maytag Residential Maytag 3RMED4905TW1 Dryer Parts Parts Diagram 02 - CABINET PARTS  
 Click on the part number to view part

Item	Original Part Number	Replaced By	Status	Part Description
1	<a href="#">693152</a>			Bumper, Console
2	<a href="#">W10130935</a>			Screw, 8-32 X 5/16
3	<a href="#">W10080300</a>			Screw, 8-18 X 3/8
4	<a href="#">3394331</a>			Plate Cover
5	<a href="#">8318457</a>			Switch, Broken Belt
6	<a href="#">W10080800</a>			Screw, 8-18 X 3/8
7	<a href="#">8310656</a>			Cabinet
8	3392100	<a href="#">49621</a>		Feet-Leveling
"	<a href="#">279810</a>			Foot-Optional
9	<a href="#">W10121316</a>			Plug, Multivent
10	<a href="#">3387374</a>			Spring, Idler
11	<a href="#">W10080670</a>			Retainer, Idler
12	697750	<a href="#">W10470674</a>		Dryer Exhaust Kit
13	3388672	<a href="#">279640</a>		Pulley-ldr
14	8533971	<a href="#">90767</a>		Screw, 8A X 3/8 HeX Washer Head Tapping
15	<a href="#">W10118188</a>			Screw, 6-20 X 1 1/16

16	340025	<a href="#">687133</a>	Wire
17	<a href="#">8563747</a>		Exhaust Pipe Medium Pipe
18	<a href="#">W10121334</a>		Washer, Thrust
19	<a href="#">3389249</a>		Nut, Inner Door
20	<a href="#">690997</a>		Washer, Thrust
21	<a href="#">3389247</a>		Hinge And Pin Assembly
22	<a href="#">W10080700</a>		Screw, 8-18 X 1/2
23	<a href="#">W10083220</a>		Lever, Snap Switch
24	<a href="#">3394081</a>		Wire, Broken Belt Switch
25	<a href="#">49026</a>		4" - 90° Elbow
26	<a href="#">3393657</a>		Restrainer, Belt
27	3404470	<a href="#">W10416573</a>	Motor-Drive
28	<a href="#">8563750</a>		Exhaust Pipe
29	<a href="#">3402548</a>		Pulley 50 Hz
30	3387610	<a href="#">661570</a>	Belt
31	<a href="#">3400097</a>		Screw, 10-24 X 3/8
32	<a href="#">3387118</a>		Bracket, Motor
33	<a href="#">8563749</a>		Exhaust Pipe
34	<a href="#">W10116360</a>		Handle, Door
35	<a href="#">W10080540</a>		Screw, 6-20 X 7/8
36	<a href="#">693995</a>		Screw, Hex Head
37	<a href="#">8318396</a>		Foam-Seal
38	<a href="#">3390902</a>		Clip, Door Hinge
39	W10118754	<a href="#">W10118756</a>	Idler Bracket
40	<a href="#">297092</a>		Clip
41	<a href="#">W10237959</a>		Door Switch Assembly
42	<a href="#">3397659</a>		Block, Terminal
43	<a href="#">279318</a>		Terminal Tinned And Brass Panel
44	<a href="#">3387242</a>		Seal, Front Panel
45	<a href="#">279393</a>		Terminal Block Screw Kit
46	<a href="#">3388229</a>		Retainer, Toe Panel
47	3392563	<a href="#">280083</a>	Door-Rear
48	3392538	<a href="#">279570</a>	Latch
49	<a href="#">3387872</a>		Door, Front
50	<a href="#">90767</a>		Screw, 8A X 3/8 HeX Washer Head Tapping
51	W10193554	<a href="#">W10231550</a>	Panel
52	<a href="#">W10080240</a>		Strike, Door
53	<a href="#">8316644</a>		Power Cord, Strain Relief
54	<a href="#">3390735</a>		Seal, Door
55	697215	<a href="#">3406797</a>	Toe Panel
56	<a href="#">W10191265</a>		Plug, Hinge Screw Front Panel
57	279818	<a href="#">W10470674</a>	Dryer Exhaust Kit