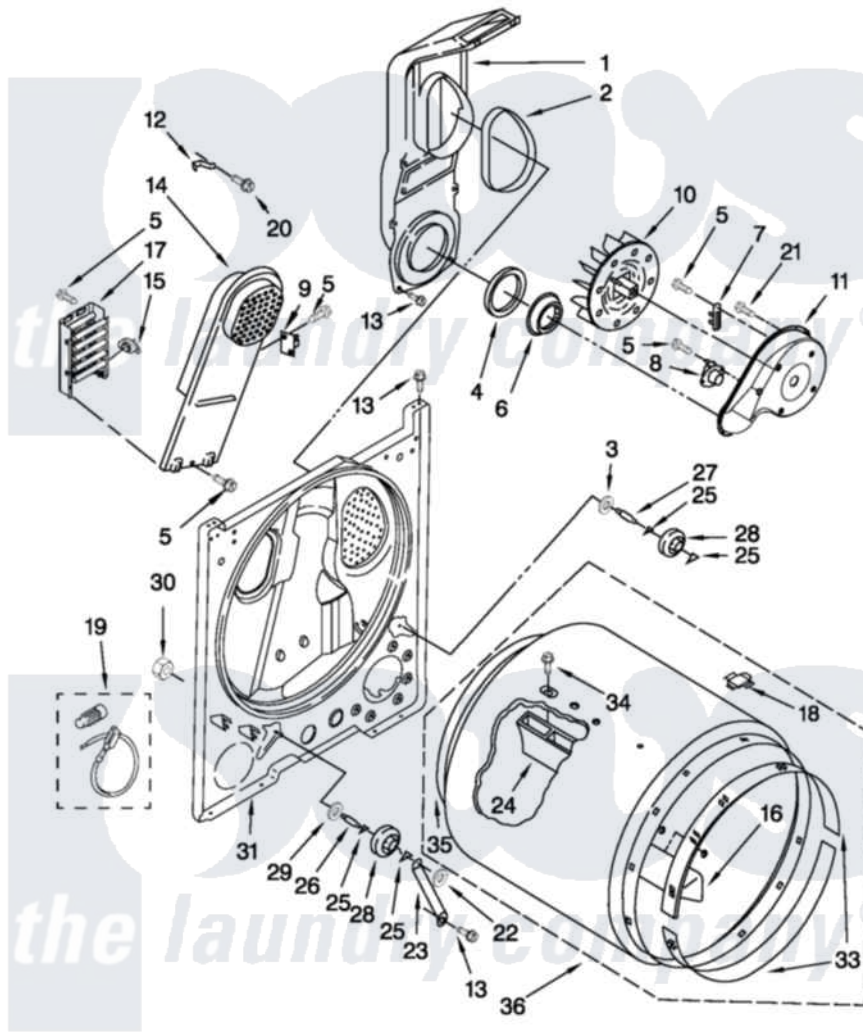


# Maytag 4GMEDC300YW0 03 - BULKHEAD PARTS

## BULKHEAD PARTS

For Model: 4GMEDC300YW0  
(White)



FOR ORDERING INFORMATION REFER TO PARTS PRICE LIST

W10482544

5

Maytag [Residential Maytag 4GMEDC300YW0 Dryer Parts](#) Parts Diagram 03 - BULKHEAD PARTS  
Click on the part number to view part

Item	Original Part Number	Replaced By	Status	Part Description
1	<a href="#">348368</a>			Lint Chute Assembly
2	<a href="#">339956</a>			Seal, Air Duct To Bulkhead
3	<a href="#">3388703</a>			Washer, Support
4	<a href="#">347139</a>			Seal, Lint Chute
5	<a href="#">90767</a>			Screw, 8A X 3/8 HeX Washer Head Tapping
6	<a href="#">696302</a>			Shield, Exhaust
7	<a href="#">3392519</a>			Thermal Limiter
8	<a href="#">3387137</a>			Thermostat, Internal-Bias
9	3977393	<a href="#">279816</a>		Cutoff-Tml
10	<a href="#">694089</a>			Wheel, Blower
11	<a href="#">8577230</a>			Housing, Blower
12	3398161			CLIP
13	343641	<a href="#">681414</a>		Screw, 10AB X 1/2
14	<a href="#">8541818</a>			Box, Heater
15	<a href="#">3977767</a>			Thermostat, High Limit 250 F
16	<a href="#">3403636</a>			Baffle, Drum

17	3403585	<a href="#">279838</a>	Element
18	<a href="#">8066086</a>		Plug, Drum Hole
19	<a href="#">279457</a>		Wire Kit, Terminal
20	<a href="#">489463</a>		Screw, 8-18 X 1/16
21	3390647	<a href="#">488729</a>	Screw
22	<a href="#">90296</a>		Nut, Push On
23	<a href="#">3976434</a>		Bracket, Support Shaft
24	<a href="#">692490</a>		Baffle, Drum
25	<a href="#">690997</a>		Washer, Thrust
26	<a href="#">W10359270</a>		Shaft, Drum Roller Threads
27	<a href="#">W10359269</a>		Shaft, Drum Roller Threads
28	<a href="#">W10314171</a>		Roller, Support Assembly
29	<a href="#">348197</a>		Washer, Support
30	<a href="#">W10298789</a>		Nut, Push-In
31	<a href="#">3403410</a>		Bulkhead
33	692526	<a href="#">279441</a>	BeaRng-Rng
34	<a href="#">W10219342</a>		Screw, Baffle Mounting
35	W10352407	<a href="#">279857</a>	Seal
36	<a href="#">695587</a>		Drum Assembly

