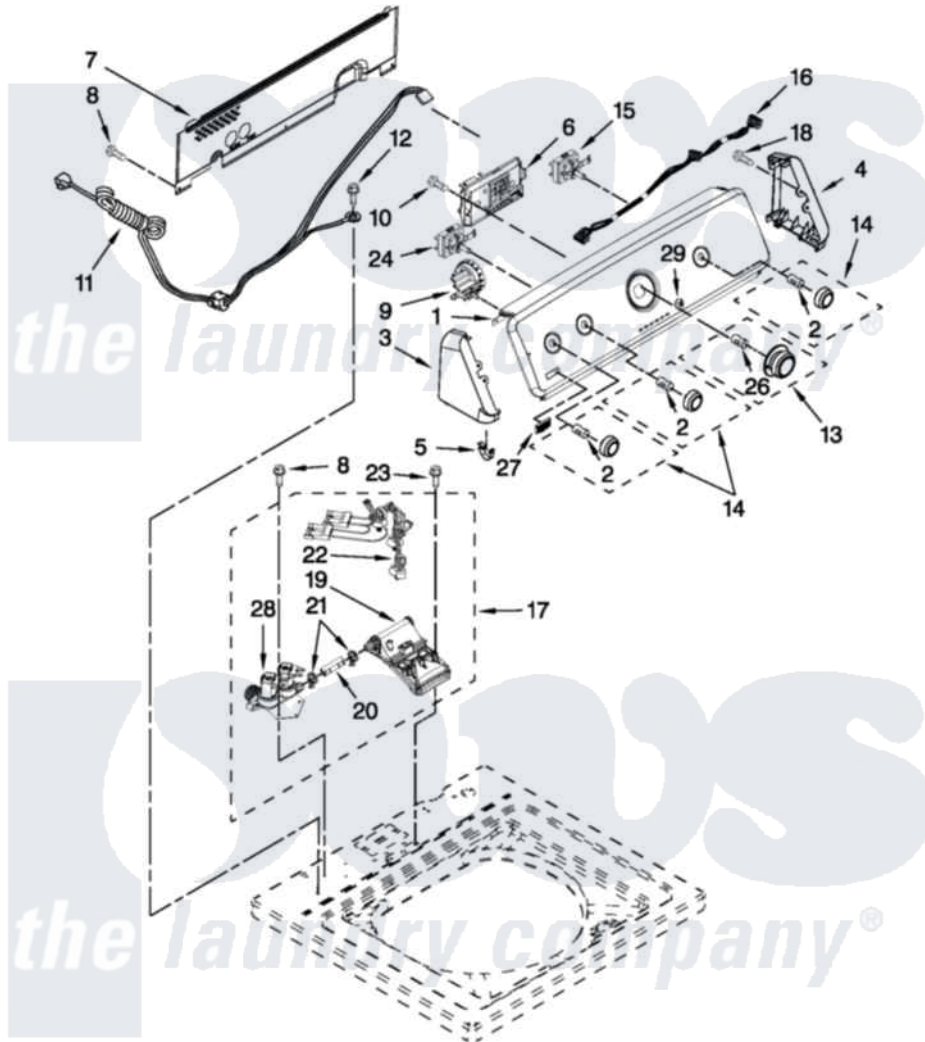


# Maytag 4GMVWC300YW0 02 - CONTROLS AND WATER INLET PARTS

## CONTROLS AND WATER INLET PARTS

For Model: 4GMVWC300YW0  
(White)



FOR ORDERING INFORMATION REFER TO PARTS PRICE LIST

W10479816

3

Maytag [Residential Maytag 4GMVWC300YW0 Washer Parts](#) Parts Diagram 02 - CONTROLS AND WATER INLET PARTS

[Click on the part number to view part](#)

Item	Original Part Number	Replaced By	Status	Part Description
1	<a href="#">W10365085</a>			Panel, Console
2	<a href="#">8536939</a>			Clip, Knob
3	<a href="#">W10193824</a>			Endcap Console Bracket
4	<a href="#">W10193821</a>			Cap, End
5	<a href="#">8312709</a>			Clip-Console
6	<a href="#">W10453176</a>			Control Unit Assembly,
7	<a href="#">W10420985</a>			Panel, Console Rear Cover
8	1157158	<a href="#">489069</a>		Xxscrew, 10-12 X 1/2
9	<a href="#">W10268911</a>			Hose, Pressure Switch
10	<a href="#">90767</a>			Screw, 8A X 3/8 HeX Washer Head Tapping
11	<a href="#">W10422755</a>			Cord, Power
12	<a href="#">3400076</a>			Screw, Bracket Mounting
13	<a href="#">W10317454</a>			Timer Knob And Dial Assembly
14	<a href="#">W10317455</a>			Knob, Push-To-Start

15	<a href="#">W10285511</a>		Switch, Rotary Encoder
16	<a href="#">W10291175</a>		Harness, Upper
17	<a href="#">W10345523</a>		Inlet Assembly, Water
18	359625	<a href="#">487240</a>	Screw, For Mtg. Service Capacitor
19	<a href="#">W10441423</a>		Vacuum Break
20	<a href="#">W10238347</a>		Hose, Vacuum Break
21	W10117298	<a href="#">596669</a>	Clamp, Manifold
22	<a href="#">W10344775</a>		Harness, Valve
23	<a href="#">8281163</a>		Screw, Dispenser Housing Mounting
24	<a href="#">W10285512</a>		Switch, Rotary Encoder
26	<a href="#">688805</a>		Clip, Spring Knob
27	<a href="#">W10323734</a>		Badge, Assembly
28	W10339585	Not Available	VALVE, WATER MIXING
29	<a href="#">W10251309</a>		Pushbutton, Start

