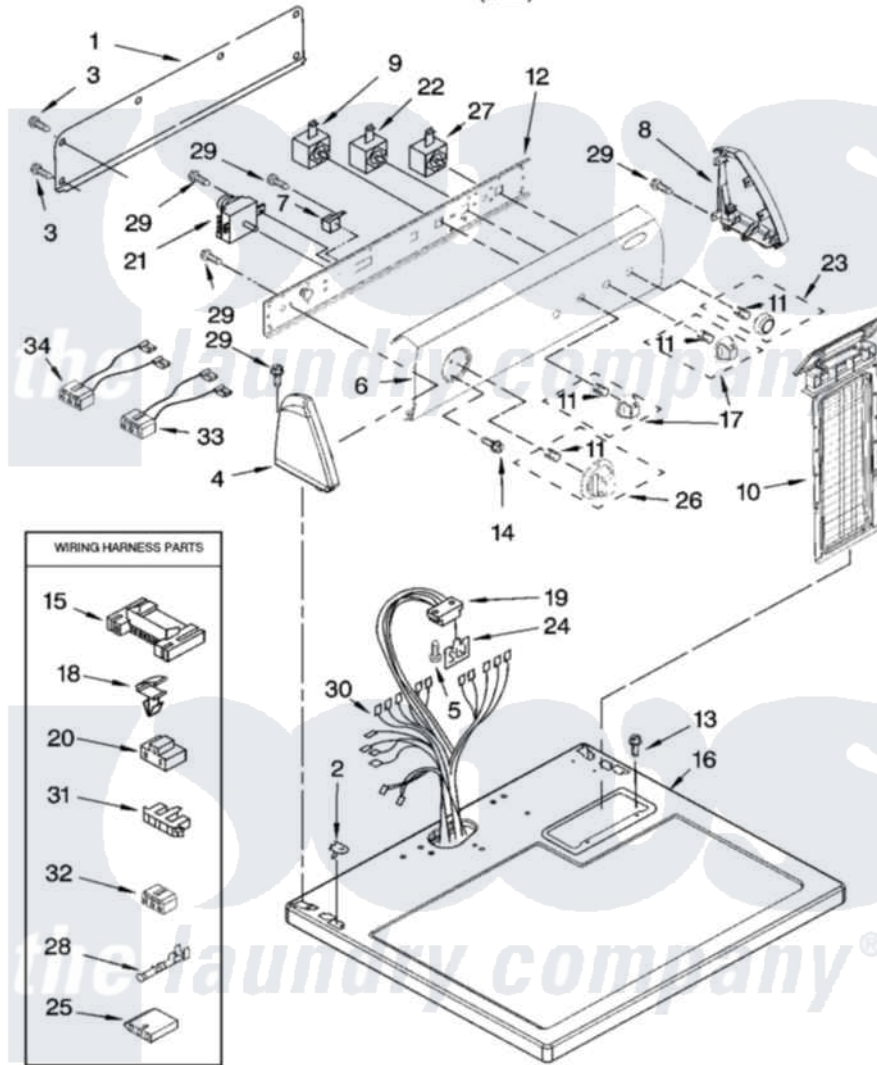


# Maytag 4KNED5800TQ0 02 - TOP AND CONSOLE PARTS

## TOP AND CONSOLE PARTS

For Model: 4KNED5800TQ0  
(White)



W10245254

3

Maytag Residential Maytag 4KNED5800TQ0 Dryer Parts Parts Diagram 02 - TOP AND CONSOLE PARTS  
Click on the part number to view part

Item	Original Part Number	Replaced By	Status	Part Description
1	<a href="#">8274261</a>			Do-It-Yourself Repair Manuals
2	<a href="#">357213</a>			Nut, Push-In
3	<a href="#">693995</a>			Screw, Hex Head
4	8271365	<a href="#">279962</a>		Endcap
5	343641	<a href="#">681414</a>		Screw, 10AB X 1/2
6	<a href="#">W10086670</a>			Panel Control
7	<a href="#">3952439</a>			Buzzer, Mini
8	8271359	<a href="#">279962</a>		Endcap
9	<a href="#">3399639</a>			Switch, Rotary Temperature
10	<a href="#">8558463</a>			HANDLE AND LINT SCREEN ASSEMBLY
11	<a href="#">8536939</a>			Clip, Knob
12	<a href="#">8271418</a>			Bracket, Control
13	688983	<a href="#">487240</a>		Screw, For Mtg. Service Capacitor
14	8533951	<a href="#">3400859</a>		Screw, Grounding
15	<a href="#">3395683</a>			Receptacle, Multi-Terminal

16	8557930	<a href="#">8563985</a>	Top
17	<a href="#">W10110047</a>		Knob, Control
18	<a href="#">3394427</a>		Clip-Harness
19	<a href="#">3391885</a>		Connector, Edge
20	<a href="#">3401144</a>		Connector
21	<a href="#">3979617</a>		Timer, 60 Hz
22	<a href="#">3405152</a>		Switch, Wrinkle Shield
23	<a href="#">W10110049</a>		Knob, Push-To-Start
24	<a href="#">8558178</a>		Control, Electronic
25	<a href="#">3936144</a>		Do-It-Yourself Repair Manuals
26	<a href="#">W10110048</a>		Timer Knob Assembly
27	<a href="#">W10119074</a>		Switch, Push-To-Start
28	<a href="#">94614</a>		Terminal
29	8533971	<a href="#">90767</a>	Screw, 8A X 3/8 HeX Washer Head Tapping
30	<a href="#">W10221862</a>		Harness, Wiring
31	<a href="#">3397269</a>		Connector, Timer
32	<a href="#">3347243</a>		Block, Disconnect
33	<a href="#">3401695</a>		Wire, Jumper Buzzer
34	3396029	<a href="#">8539893</a>	Wire, Jumper

