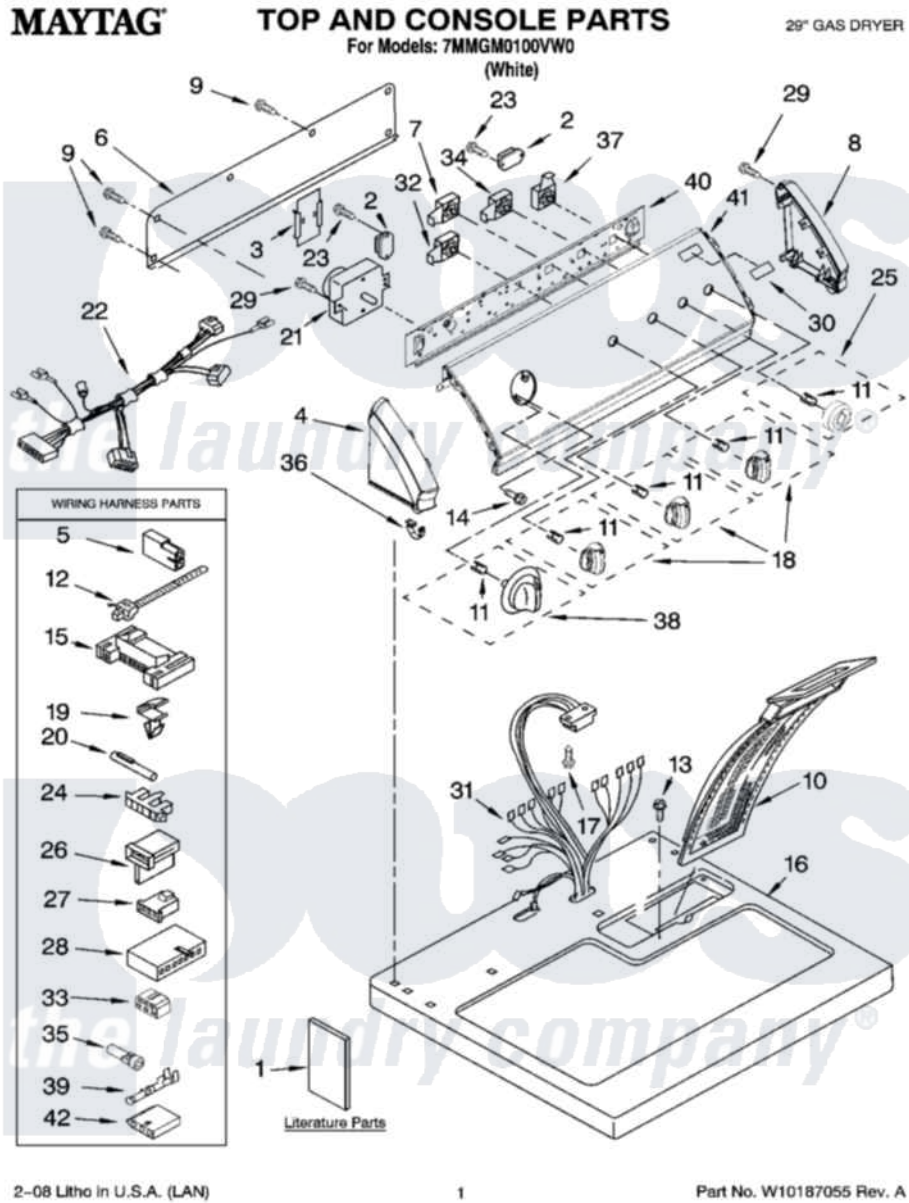


Maytag 7MMGM0100VW0 01 - TOP AND CONSOLE PARTS



Maytag [Residential Maytag 7MMGM0100VW0 Dryer Parts](#) Parts Diagram 01 - TOP AND CONSOLE PARTS
Click on the part number to view part

| Item | Original Part Number | Replaced By | Status | Part Description |
|------|---------------------------|-------------------------|---------------|-----------------------------------|
| 1 | W10118198 | | Not Available | Instructions, Installation |
| " | W10155425 | | Not Available | Sheet, Cycle Feature |
| " | 3406666 | | Not Available | Wiring Diagram |
| 2 | 3405281 | | | Power Relay |
| 3 | W10116566 | | | Control-Elec |
| 4 | W10128464 | | | Cap, End |
| 5 | 717252 | | | Receptacle, Terminal |
| 6 | 8274261 | | | Do-It-Yourself Repair Manuals |
| 7 | 3405152 | | | Switch, Wrinkle Shield |
| 8 | W10128463 | | | Cap, End |
| 9 | 693995 | | | Screw, Hex Head |
| 10 | 8559787 | | | Screen, Lint |
| 11 | 8536939 | | | Clip, Knob |
| 12 | 3391249 | | | Cable Tie, Push Mount |
| 13 | 688983 | 487240 | | Screw, For Mtg. Service Capacitor |
| 14 | 8533951 | 3400859 | | Screw, Grounding |

| | | | |
|----|---------------------------|---------------------------|---|
| 15 | 3395683 | | Receptacle, Multi-Terminal |
| 16 | 8559800 | 8563663 | Top |
| 17 | 343641 | 681414 | Screw, 10AB X 1/2 |
| 18 | 3956788 | | Knob, Control |
| 19 | 3394427 | | Clip-Harness |
| 20 | 351296 | | Receptacle |
| 21 | 8299771 | | Timer Assembly |
| 22 | 8283281 | | Harness, Console |
| 23 | 3388228 | | Screw, 8-18 X 1/32 |
| 24 | 3397269 | | Connector, Timer |
| 25 | 3956790 | | Knob, Push-To-Start |
| 26 | 3403499 | | Connector, 2-Postion |
| 27 | 3403498 | | Connector, 3-Position |
| 28 | 3936150 | | Connector, 7-Circuit |
| 29 | 8533971 | 90767 | Screw, 8A X 3/8 HeX Washer Head Tapping |
| 30 | W10112569 | W10203949 | Medallion |
| 31 | 8299900 | | Harness, Wiring |
| 32 | 8299970 | | Switch, Temperature |
| 33 | 3347243 | | Block, Disconnect |
| 34 | 3405151 | | Switch, End Of Cycle |
| 35 | 351297 | | Plug, Harness |
| 36 | W10129041 | | Clip, Console |
| 37 | 3977456 | | Switch, Push-To-Start |
| 38 | 8571409 | | Timer Knob Assembly |
| 39 | 94614 | | Terminal |
| 40 | 8559772 | | Bracket, Control |
| 41 | W10155431 | | Panel, Control |
| 42 | 3936144 | | Do-It-Yourself Repair Manuals |

