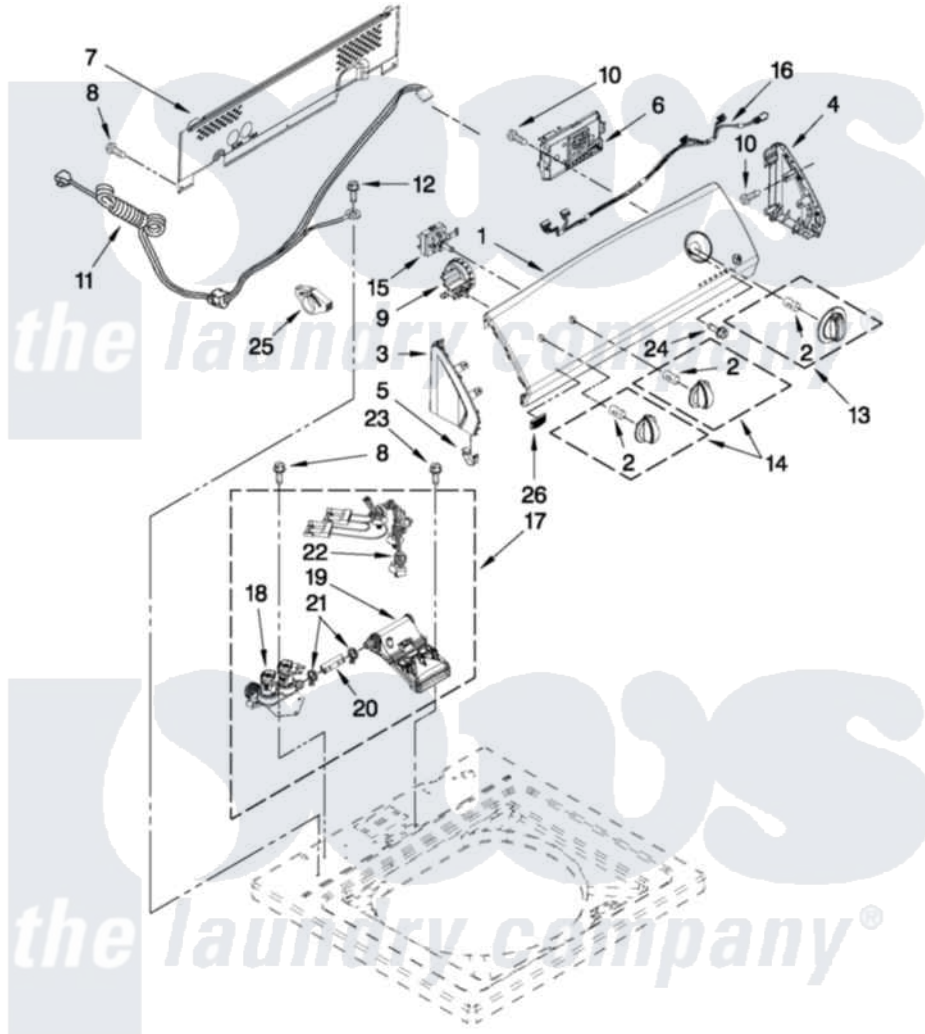


Maytag 7MMVWC200YW0 02 - CONTROLS AND WATER INLET PARTS

CONTROLS AND WATER INLET PARTS

For Model: 7MMVWC200YW0
(White)



FOR ORDERING INFORMATION REFER TO PARTS PRICE LIST

W10396493

3

Maytag [Residential Maytag 7MMVWC200YW0 Washer Parts](#) Parts Diagram 02 - CONTROLS AND WATER INLET PARTS

[Click on the part number to view part](#)

Item	Original Part Number	Replaced By	Status	Part Description
1	W10354026			Panel, Console
2	8536939			Clip, Knob
3	W10251358			Cap, End
4	W10251355			Cap, End
5	8312709			Clip-Console
6	W10395599			Control Unit Assembly
7	W10251310	W10420985		Panel, Console Rear Cover
8	1157158	489069		Xxscrew, 10-12 X 1/2
9	W10268911			Hose, Pressure Switch
10	90767			Screw, 8A X 3/8 HeX Washer Head Tapping
11	W10276649			Cord, Power
12	3400076			Screw, Bracket Mounting
13	W10327522			Knob, Timer Assembly
14	W10327523			Knob, Controls
15	W10285512			Switch, Rotary Encoder

16	W10291178		Harness, Upper
17	W10357189		Inlet Assembly, Water
18	W10352256		Valve, Water Mixing
19	W10334611	W10441423	Vacuum Break
20	W10238347		Hose, Vacuum Break
21	W10117298	596669	Clamp, Manifold
22	W10337345	W10344775	Harness, Valve
23	8281163		Screw, Dispenser Housing Mounting
24	3400818		Screw, Timer Mounting
25	W10348582		Cable Tie
26	W10199708		Badge, Maytag

