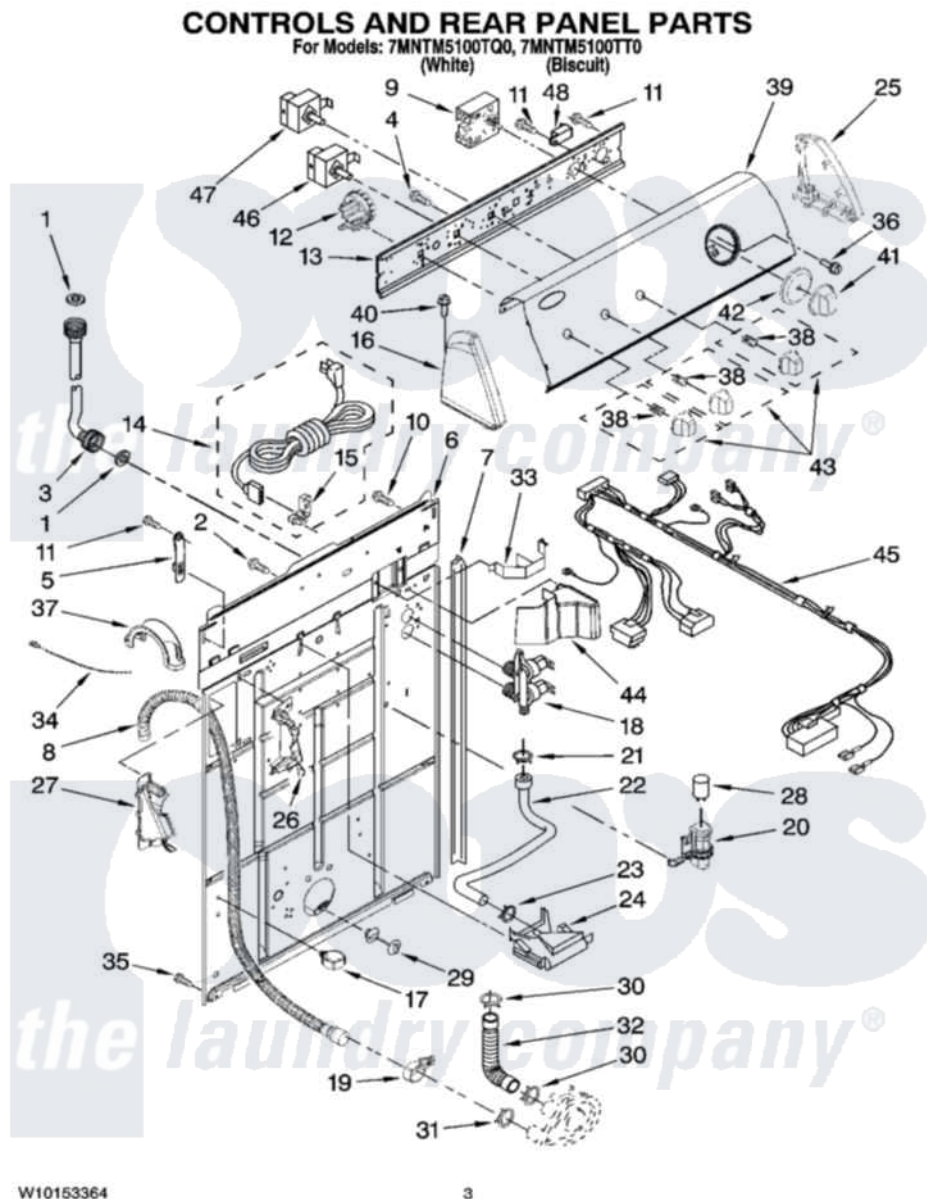


# Maytag 7MNTM5100TQ0 02 - CONTROLS AND REAR PANEL PARTS



Maytag Residential Maytag 7MNTM5100TQ0 Washer Parts Parts Diagram 02 - CONTROLS AND REAR PANEL PARTS  
Click on the part number to view part

| Item | Original Part Number      | Replaced By               | Status | Part Description   |
|------|---------------------------|---------------------------|--------|--|
| 1    | 3976300                   | <a href="#">16123</a>     |        | Washer Inlet-Hose<br>Miscellaneous Parts Must be Ordered Separately. |
| 2    | <a href="#">9740848</a>   |                           |        | Screw, Mixing Valve Mounting   |
| 3    | 8571377                   | <a href="#">89503</a>     |        | Hose-Inlet   |
| "    | 8571378                   | <a href="#">89503</a>     |        | Hose-Inlet   |
| 4    | <a href="#">3400073</a>   |                           |        | Screw, Ground  |
| 5    | <a href="#">8568314</a>   |                           |        | Strap, Console   |
| 6    | <a href="#">8318015</a>   |                           |        | Panel, Rear  |
| 7    | <a href="#">62747</a>     |                           |        | Pad, Rear Panel  |
| 8    | W10122138                 | <a href="#">W10096921</a> |        | Drain Hose Assembly  |
| 9    | <a href="#">W10157978</a> |                           |        | Timer, Control   |
| 10   | <a href="#">3351614</a>   |                           |        | Screw, Gearcase Cover Mounting                                       |
| 11   | <a href="#">90767</a>     |                           |        | Screw, 8A X 3/8 HeX Washer Head Tapping                              |
| 12   | 8577844                   | <a href="#">W10339251</a> |        | Switch-WL  |
| 13   | <a href="#">3948608</a>   |                           |        | Bracket, Control   |

|    |                           |                           |                                   |
|----|---------------------------|---------------------------|-----------------------------------|
| 14 | <a href="#">W10115689</a> |                           | Cord, Power                       |
| 15 | 3952821                   | <a href="#">285777</a>    | Relief-Str                        |
| 16 | 8271369                   | <a href="#">279962</a>    | Endcap                            |
| "  | <a href="#">8314852</a>   |                           | Cap, End                          |
| 17 | <a href="#">8541667</a>   |                           | Clamp, Hose                       |
| 18 | 3952164                   | <a href="#">285805</a>    | Valve-Inlet                       |
| 19 | <a href="#">8541668</a>   |                           | Clamp, Hose                       |
| 20 | <a href="#">8318046</a>   |                           | Clip, Capacitor                   |
| 21 | 301958                    | <a href="#">596669</a>    | Clamp, Manifold                   |
| 22 | 8541607                   | <a href="#">3357328</a>   | Hose, Vacuum Break                |
| 23 | 370450                    | <a href="#">596669</a>    | Clamp, Manifold                   |
| 24 | 387606                    | <a href="#">3360977</a>   | Break-Vac                         |
| 25 | 8271363                   | <a href="#">279962</a>    | Endcap                            |
| "  | <a href="#">8314851</a>   |                           | Cap, End                          |
| 26 | <a href="#">8541669</a>   |                           | Bucket, Drain Hose                |
| 27 | <a href="#">8541658</a>   |                           | Bucket, Drain Hose                |
| 28 | <a href="#">8572717</a>   |                           | Capacitor, Motor Start            |
| 29 | <a href="#">8519200</a>   |                           | Support, Rear Panel               |
| 30 | 3363366                   | <a href="#">616099</a>    | Clamp                             |
| 31 | 8317496                   | <a href="#">285655</a>    | Clamp, Hose                       |
| 32 | 3951449                   | <a href="#">285871</a>    | Hose                              |
| 33 | <a href="#">8055003</a>   |                           | Clip, Harness And Pressure Switch |
| 34 | 3347868                   | <a href="#">W10339879</a> | Tie, Cable                        |
| 35 | 62863                     | <a href="#">3390631</a>   | Screw, 10-16 X 3/8                |
| 36 | <a href="#">3400818</a>   |                           | Screw, Timer Mounting             |
| 37 | <a href="#">8577378</a>   |                           | U-Bend, Drain Hose                |
| 38 | <a href="#">8536939</a>   |                           | Clip, Knob                        |
| 39 | <a href="#">W10115427</a> |                           | Panel, Console                    |
| "  | <a href="#">W10115428</a> |                           | Panel, Console                    |
| 40 | <a href="#">388326</a>    |                           | Screw, 8-18 X 1.25                |
| 41 | <a href="#">W10110045</a> |                           | Knob, Timer                       |
| "  | <a href="#">W10112605</a> |                           | Knob, Timer                       |
| 42 | <a href="#">W10110046</a> |                           | Dial, Timer                       |
| "  | <a href="#">W10112606</a> |                           | Dial, Timer                       |
| 43 | <a href="#">W10110047</a> |                           | Knob, Control                     |
| "  | <a href="#">W10112607</a> |                           | Knob, Control                     |
| 44 | <a href="#">8314879</a>   |                           | Shield, Inlet Valve               |
| 45 | <a href="#">W10151490</a> |                           | Wiring Harness                    |
| 46 | 661612                    | <a href="#">W10168256</a> | Switch, Water Temperature         |
| 47 | 3949180                   | <a href="#">W10168257</a> | Switch, Rotary                    |
| 48 | <a href="#">694419</a>    |                           | Mini-Buzzer                       |