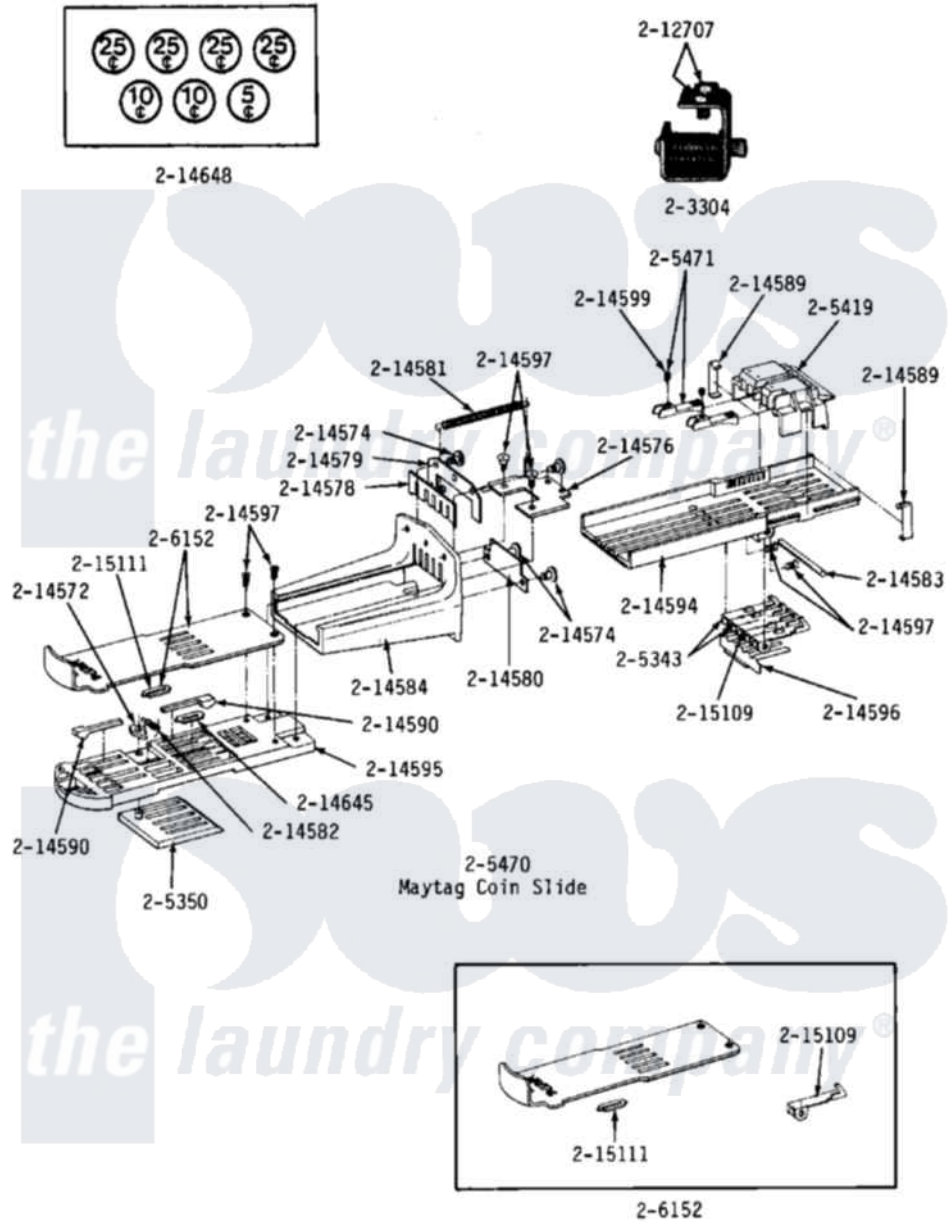


Maytag A17CM 04 - MAYTAG COIN SLIDE (A17CM)



Maytag Residential Maytag A17CM Washer Parts Parts Diagram 04 - MAYTAG COIN SLIDE (A17CM)
 Click on the part number to view part

| Item | Original Part Number | Replaced By | Status | Part Description |
|------|------------------------|-------------------------|---------------|-------------------------------|
| 001 | NLA | | Not Available | ACTUATOR KIT-WASHER SLIDES--N |
| 002 | 205343 | | Not Available | LOWER GAGE ARM ASSEMBLY |
| 003 | 205350 | | | Stop Block Assembly |
| 004 | NLA | | Not Available | MEASURING BLOCK ASSEMBLY |
| 005 | NLA | | Not Available | MAYTAG COIN SLIDE |
| 006 | NLA | | Not Available | MOVABLE COIN GAGE |
| 007 | NLA | | Not Available | SLIDE PLATE W/NICKEL INSERT |
| 008 | 212707 | 3196385 | | Screw |
| 009 | 214572 | | Not Available | ARM, RATCHET |
| 010 | NLA | | Not Available | STUD FOR COIN SLIDE |
| 011 | NLA | | Not Available | END BRACKET FOR SLIDE |
| 012 | 214578 | | | Gate For Coin Opening |
| 013 | NLA | | Not Available | RETAINER FOR GATE |
| 014 | NLA | | Not Available | RETAINER FOR GAGE |

| | | | |
|-----|------------------------|---------------|---------------------------|
| 014 | NLA | Not Available | SPRING |
| 015 | 214581 | | Spring, Return |
| 016 | 214582 | | Spring For Ratchet Arm |
| 017 | NLA | Not Available | PIN FOR LOWER GAGE ARM |
| 018 | 214584 | Not Available | HOUSING FOR COIN SLIDE |
| 019 | 214589 | | Clip, Spring |
| 020 | NLA | Not Available | PLUG FOR COIN OPENING |
| 021 | 214594 | Not Available | BASE INSERT FOR HOUSING |
| 022 | NLA | Not Available | SLIDE BODY |
| 023 | 214596 | | Spring For Lower Gage Arm |
| 024 | 214597 | | Screw |
| 025 | NLA | Not Available | SET SCREW FOR GAGE |
| 026 | NLA | Not Available | DIME INSERT |
| 027 | 214648 | | Decal, Coinage |
| 028 | NLA | Not Available | LOWER GAGE ARM |
| 029 | NLA | Not Available | NICKEL INSERT |

