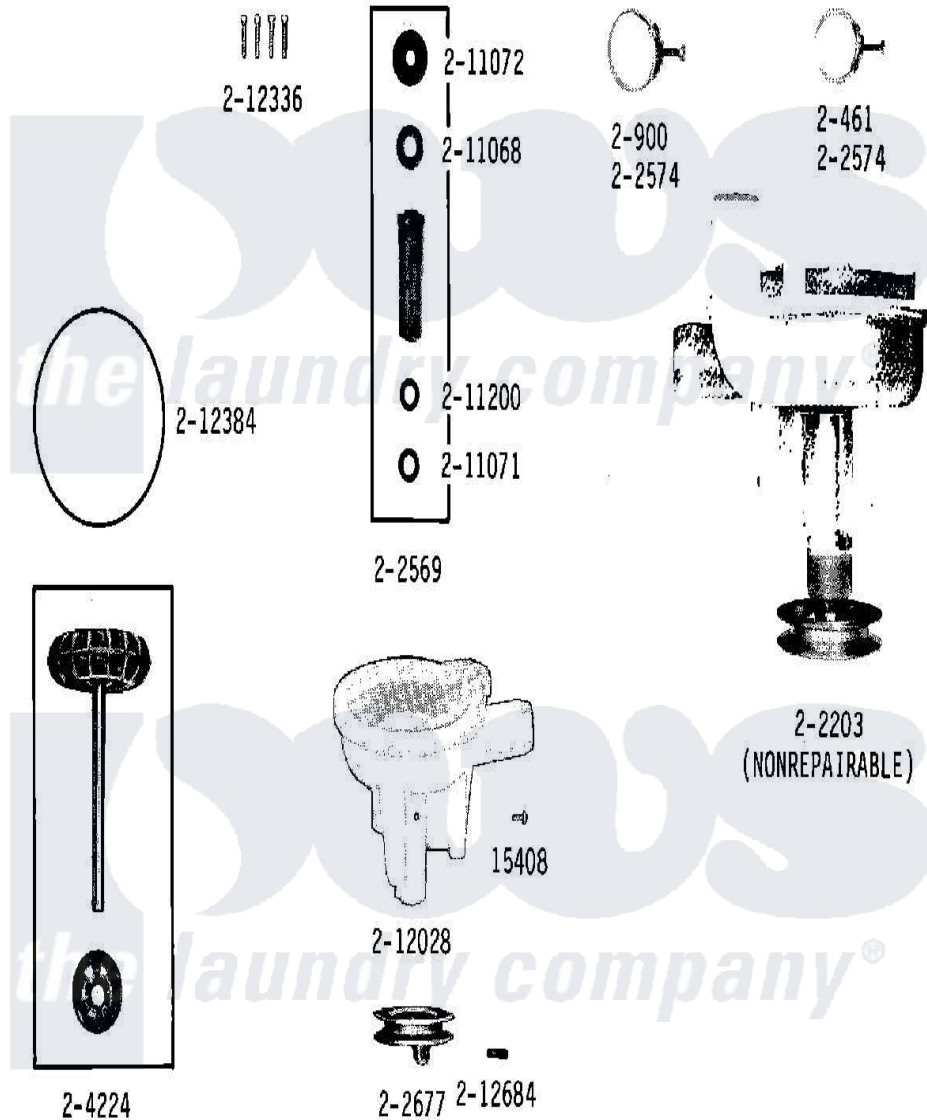


# Maytag A18CT 11 - 'POLY' PUMP



Maytag [Residential Maytag A18CT Washer Parts](#) Parts Diagram 11 - 'POLY' PUMP  
 Click on the part number to view part

Item	Original Part Number	Replaced By	Status	Part Description
001	Y015408	<a href="#">22003235</a>		Screw, Bearing Insert
002	200461	<a href="#">285655</a>		Clamp, Hose
003	200900	<a href="#">616099</a>		Clamp
004	202203	<a href="#">6-2022030</a>		Pump As Pa
005	NLA		Not Available	PUMP BEARING KIT
006	202574	<a href="#">3367052</a>		Clamp, Hose
007	NLA		Not Available	PUMP PULLEY WITH PIN
008	<a href="#">204224</a>			Impeller And Seal Assembly
009	<a href="#">211068</a>			Wicking-Top
010	NLA		Not Available	OIL SLINGER-BOTTOM
011	<a href="#">211072</a>			Oil And Water Slinger-Top
012	211200			WASHER
013	NLA		Not Available	PUMP HOUSING, POLY
014	NLA		Not Available	SCREW, No.8 X 3/4 INCH
015	<a href="#">212384</a>			Gasket For Poly Pump
016	<a href="#">212684</a>			Rollpin For Pump Pulley