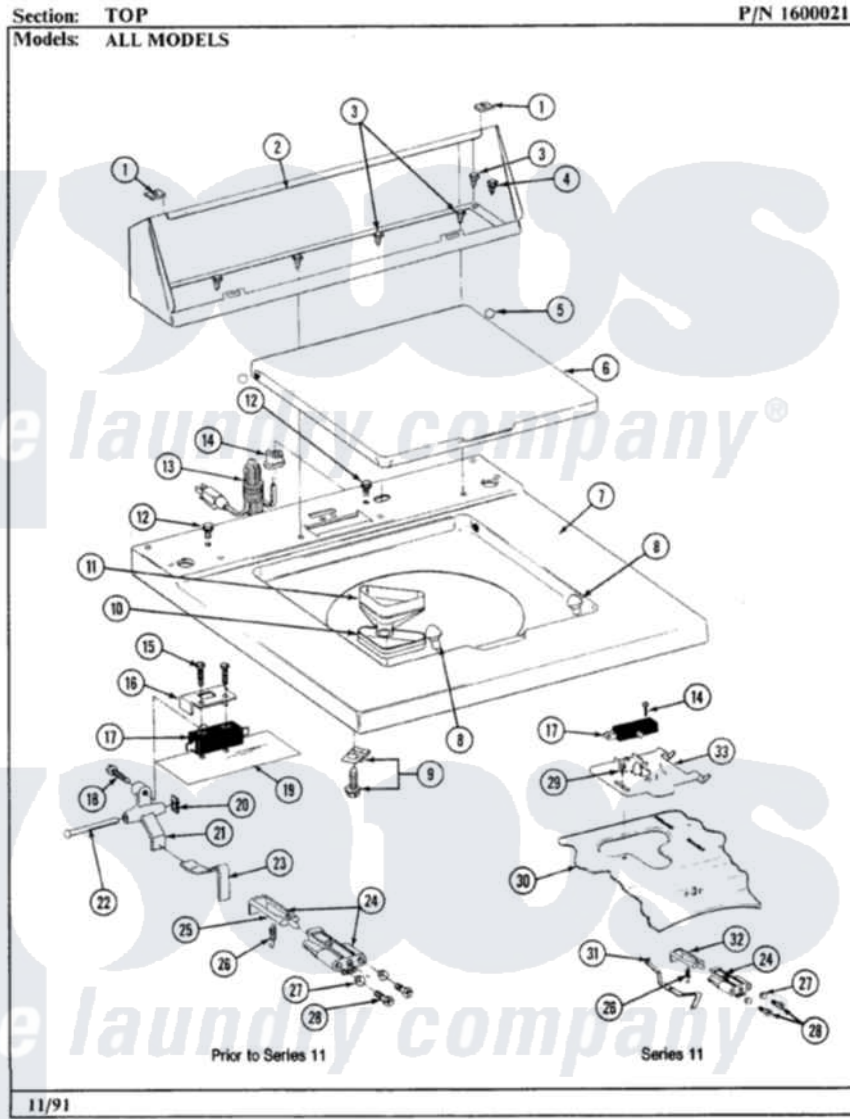


# Maytag A190 06 - TOP



12

Maytag [Residential Maytag A190 Washer Parts](#) Parts Diagram 06 - TOP  
Click on the part number to view part

Item	Original Part Number	Replaced By	Status	Part Description
1	<a href="#">215075</a>			Fastener, Control Panel To Console
2	<a href="#">205635</a>			Console
3	211294	<a href="#">90767</a>		Screw, 8A X 3/8 HeX Washer Head Tapping
4	313551	<a href="#">31-3551</a>		Dw Minimanu
5	<a href="#">211726</a>			Hinge, Ball Lid
6	212073			LID (WHITE)
7	<a href="#">205537</a>			Top Cover-White
8	<a href="#">212716</a>			Bumper, Lid
9	<a href="#">204445</a>			Screw And Fastener Assembly
10	<a href="#">214436</a>			Gasket
11	214437	<a href="#">215577</a>		Bleach Inlet White
12	210186	<a href="#">3370225</a>		Screw
13	<a href="#">204590</a>			Cord, Power
14	<a href="#">211881</a>			Grommet, Cord Part Not Used-Gas Models Only

15	<a href="#">213501</a>		Screw, No.6-20 X 1-1/8 Inch
16	<a href="#">214898</a>		Cover For Lid Switch
17	205415	<a href="#">279347</a>	Switch-Lid
18	<a href="#">911267</a>		Screw, Pump Cover
19	<a href="#">214987</a>		Moisture Barrier For Switch
20	<a href="#">410635</a>		Fastener
21	214813	Not Available	LEVER FOR LID SWITCH
22	<a href="#">214805</a>		Pin For Unbalance Lever
23	215236	<a href="#">214804</a>	Unbalance Lever
24	<a href="#">204968</a>		Plunger And Bracket Assembly--W
25	<a href="#">213718</a>		Plunger, Lid Switch
26	<a href="#">213720</a>		Spring, Lid Switch
27	<a href="#">211500</a>		Washer, Bracket To Top Cover
28	910182	<a href="#">25-7809</a>	Screw, No.6-20 1/2 Flthd Torx
29	207159	<a href="#">489355</a>	Screw, 8 X 1/2
30	<a href="#">207170</a>		Top Cover
31	<a href="#">215704</a>		Lever, Unbalance
32	215700	Not Available	LID SWITCH PLUNGER
33	Y215699	<a href="#">22001678</a>	Bracket, Switch And Fuse

