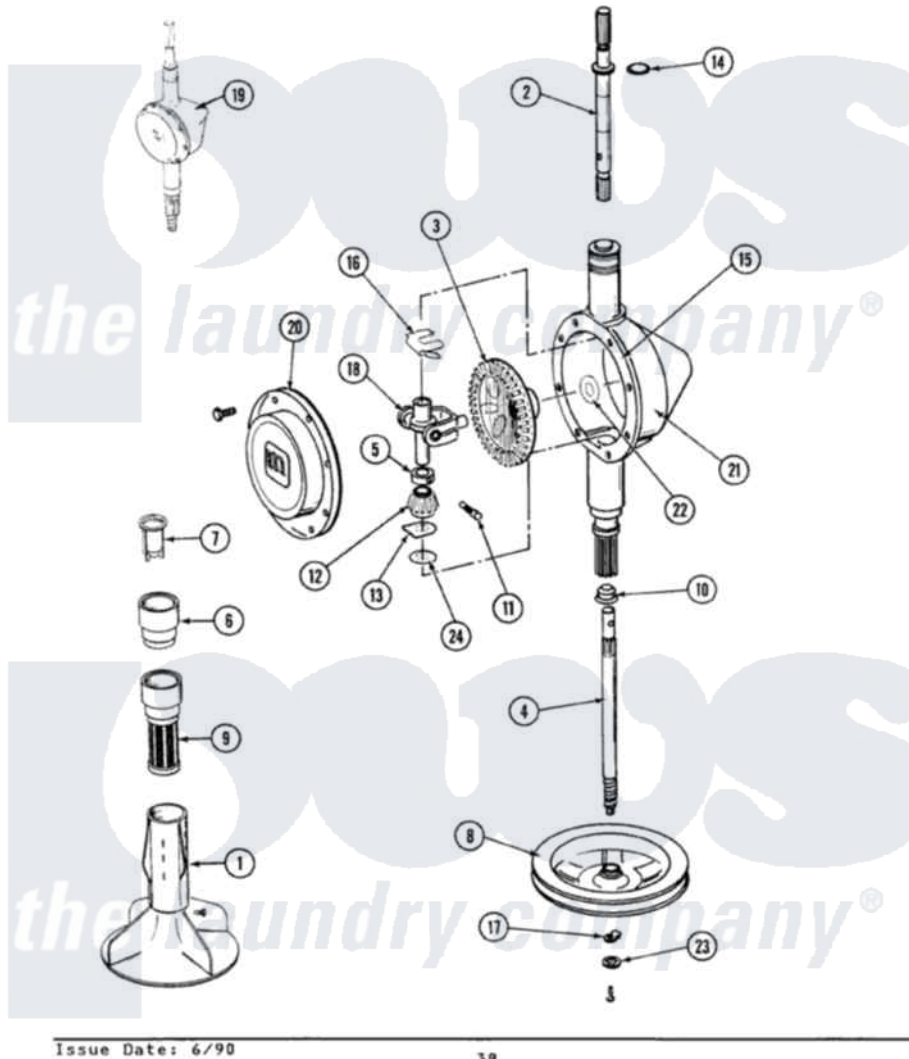


Maytag A1910 05 - ORBITAL TRANSMISSION

SECTION: ORBITAL TRANSMISSION
MODEL: ALL MODELS



Issue Date: 6/90

38

Maytag [Residential Maytag A1910 Washer Parts](#) Parts Diagram 05 - ORBITAL TRANSMISSION
Click on the part number to view part

Item	Original Part Number	Replaced By	Status	Part Description
1	206478		Not Available	SCREW & WASHER FOR AGITATOR
"	207538			Agitator W/Lock Screw
2	207153	6-2097820		Kit- Shaft
3	206713	6-2067130		Gear- Beve
4	215411	12001451		Ctr Shaft W/Collar Andkeeper-Sha
5	215415		Not Available	COLLAR, LOWER
6	215721			Dispensing Cap
7	215733			Dispensing Cup
8	211059	6-2301530		Pulley
9	Y207427			Lint Filter Shallow
10	206602	207843		Lip Seal Repair Kit
11	Y206629			Pin, Collar
12	215401	W10221114		Pinion
13	215395			Plate, Clutch
14	210690			Seal, Rubber

15	Y058700	675652	Adhesive
16	215581		Spring, Agitator Shaft
17	211375	681582	Screw
"	211089		Lug, Stop Pulley
18	206685	6-2066850	Yoke
19	206708	6-2097790	Transmison
20	206628		Cover, Transmission
"	215417	Not Available	SCREW, TRANSMISSION COVER
21	206625	6-2097790	Transmison
22	215394		Washer, Bevel Gear
23	211090	22003555	Washer, Stop Lug
24	211483	6-2114830	Washer- SP

the laundry company[®]

the laundry company[®]

the laundry company[®]