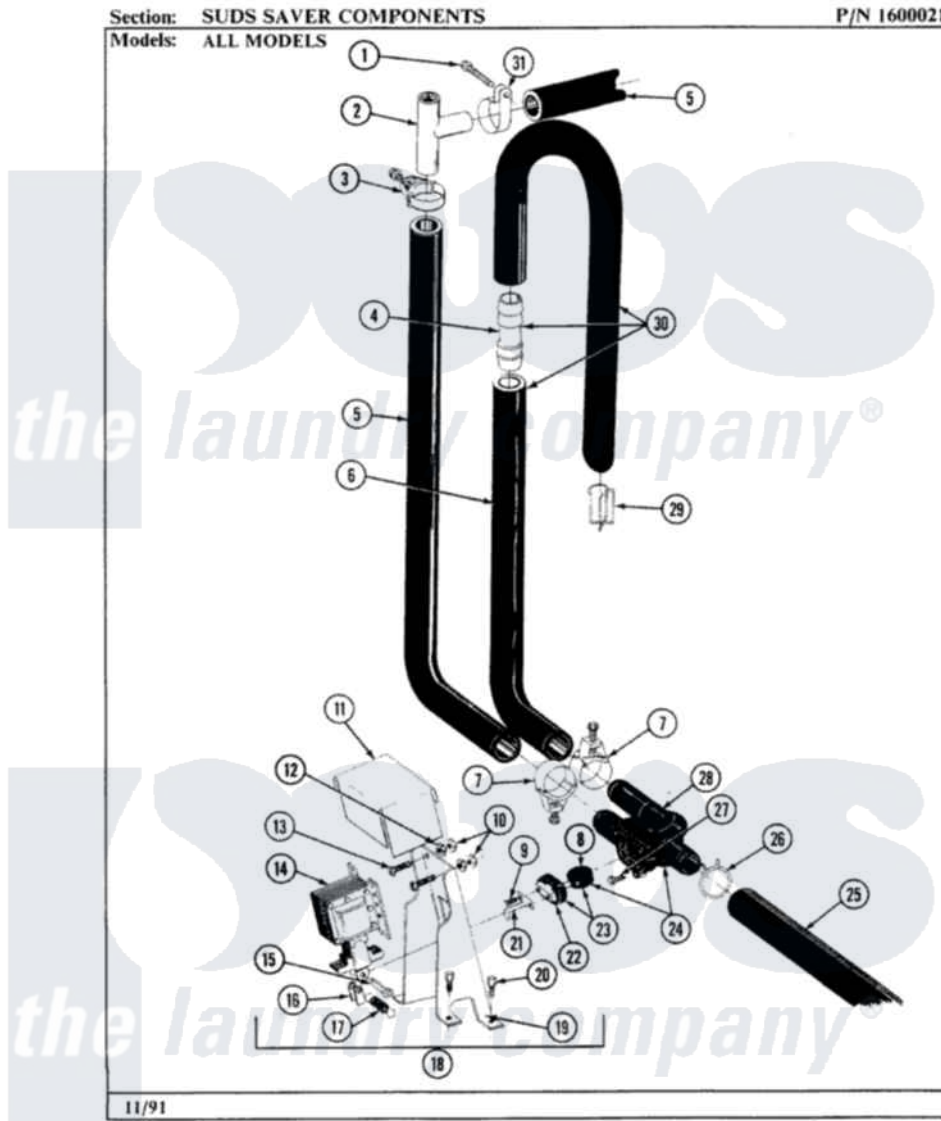


Maytag A211S 06 - SUDS SAVER COMPONENTS



32

Maytag [Residential Maytag A211S Washer Parts](#) Parts Diagram 06 - SUDS SAVER COMPONENTS

[Click on the part number to view part](#)

| Item | Original Part Number | Replaced By | Status | Part Description |
|------|------------------------|--------------------------|---------------|-------------------------|
| 1 | Y310842 | 8182296 | | Screw, Agitator |
| 2 | 201112 | 76660 | | Break-Sphn |
| 3 | 200908 | 285655 | | Clamp, Hose |
| 4 | 211111 | 16272 | | Connector, Straight |
| 5 | 211704 | | | Hose, Drain |
| 6 | 211171 | | | Suds Return Hose-Lower |
| 7 | 200461 | 285655 | | Clamp, Hose |
| 8 | 211083 | | | Flapper |
| 9 | 911266 | | Not Available | SCREW, STRAINER TO PUMP |
| 10 | Y311426 | 3400029 | | Nut, Adapter Plate |
| 11 | 211388 | | Not Available | SHIELD |
| 12 | 052690 | | Not Available | HEX. NUT, No.10-32 |
| 13 | Y054810 | 67006380 | | Screw, Center Hinge |
| 14 | 200806 | | | Solenoid |
| 15 | 052366 | | | Cotter Key, 1/8 X 7/8 |
| 16 | 211087 | | | Solenoid Link |

| | | | |
|----|------------------------|-------------------------|---|
| " | 213855 | | Pin, Pivot |
| 17 | 211085 | | Return Spring |
| 18 | 201168 | | Diverter Valve |
| 19 | 211516 | | Valve Bracket |
| 20 | 910091 | 3370225 | Screw |
| 21 | 200828 | | Valve Arm Assembly |
| 22 | 213856 | Not Available | RETAINER |
| 23 | 204316 | | Diaphragm And Arm |
| 24 | 202506 | Not Available | VALVE, DIVERTER |
| 25 | 211518 | | Hose |
| 26 | 202574 | 3367052 | Clamp, Hose |
| 27 | 214332 | 90767 | Screw, 8A X 3/8 HeX Washer Head Tapping |
| 28 | 204313 | | Body For Diverter Valve |
| 29 | 212056 | | Strainer |
| 30 | 200736 | | Suds Return Hose |
| 31 | 211448 | | Clamp |

