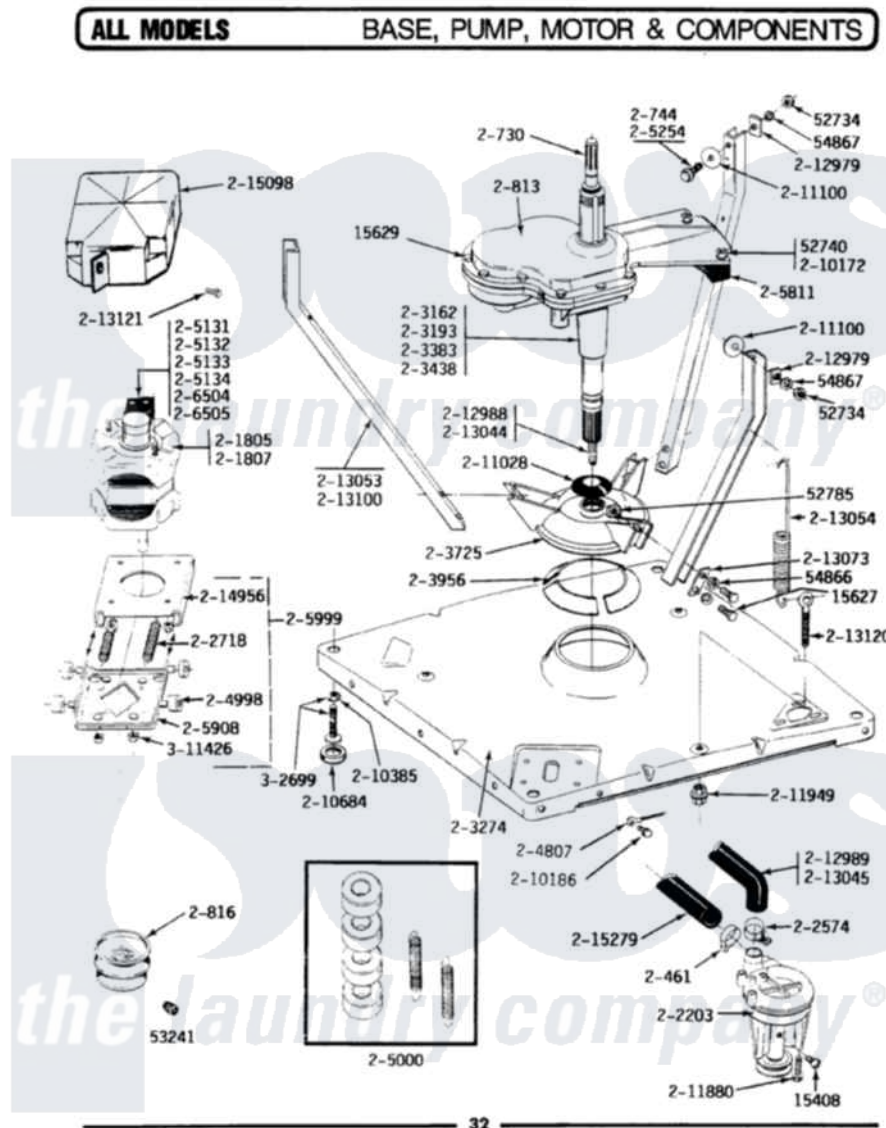


Maytag A212S 01 - BASE, PUMP, MOTOR & COMPONENTS



Maytag Residential Maytag A212S Washer Parts Parts Diagram 01 - BASE, PUMP, MOTOR & COMPONENTS
 Click on the part number to view part

| Item | Original Part Number | Replaced By | Status | Part Description |
|------|-------------------------|---------------------------|---------------|--------------------------------|
| 1 | Y015408 | 22003235 | | Screw, Bearing Insert |
| 2 | Y015627 | | | Screw- Hex |
| 3 | Y015629 | | | Bolt, Grinding Chamber |
| 4 | Y052734 | | | Nut, Carrage Bolts And Bracket |
| 5 | Y052740 | 62739 | | Nut, Lock |
| 6 | Y052785 | | | Nut, Brace To Damper |
| 7 | Y053241 | | | Set Screw, Motor Pulley |
| 8 | Y054866 | 486009 | | Lockwasher |
| 9 | Y054867 | | | Washer, Lock |
| 10 | 200461 | 285655 | | Clamp, Hose |
| 11 | 200730 | 22002124 | | Shaft- Agi |
| 12 | 200744 | W10175939 | | Bolt |
| 13 | 200813 | | Not Available | GEAR CASE COVER ASSEMBLY |
| 14 | 200816 | 6-2008160 | | Pulley- MO |
| 15 | 201805 | 12002351 | | Motor-Drve |

| | | | | |
|----|-------------------------|---------------------------|---------------|---|
| 17 | 202203 | 6-2022030 | | Pump As Pa |
| 18 | 202574 | 3367052 | | Clamp, Hose |
| 19 | 202718 | | | Springs, Tension |
| 20 | 203162 | | | Gear Housing W/Studs And Tube |
| 22 | 203274 | | | Base With Damper Pads |
| 23 | 203383 | W10172458 | | Transmison |
| 25 | 203725 | | | Damper W/Bolt And Clip |
| 26 | 203956 | | | Damper Pad Kit |
| 27 | 204807 | | | Ground Wire, Supp. Plte To Top Cover |
| 28 | 204998 | 205000 | | Roller And Spring Kit 4+Spr |
| 29 | 205000 | | | Roller And Spring Kit 4+Spr |
| 30 | 205131 | | | Switch, Motor External Start |
| 31 | 205132 | | Not Available | SWITCH, MOTOR EXTERNAL START No.201664-14,205463-4 & 201800-4 |
| 32 | 205133 | | Not Available | (PROD. IDNo. 2-1664-8 & 2-5463) |
| 33 | 205134 | | Not Available | MOTOR EXTERNAL START SWITCH |
| 34 | 205254 | W10175938 | | Bolt |
| 35 | 205811 | | | Counterweight |
| 36 | 205908 | | | Motor Mount Assembly |
| 37 | 205999 | | | Motor Mount Assembly |
| 38 | 206504 | | | Motor External Start Switch |
| 39 | 206505 | | Not Available | PROD. No.201664-15, & No.205463-3. |
| 40 | 210172 | | | Lock Washer |
| 41 | 210186 | 3370225 | | Screw |
| 42 | 210385 | | | Lock Nut For Adjustable Leg |
| 43 | 210684 | | | Foot, Adjustable Leg |
| 44 | 211028 | 22001586 | | Deflector, Water |
| 45 | 211100 | | | Washer, Outer Tub |
| 46 | 211880 | | | Screw, HeX Head No.10 X 1/2 Inc |
| 47 | 211949 | | | Nut, Adjustment Eyebolt |
| 48 | 212979 | | Not Available | WASHER, TUB BRACE |
| 49 | 212988 | | | Part Not Used |
| 50 | Y212989 | | | Hose, Outer Tub To Pump |
| 54 | 213054 | | | Centering Spring - 3 Used |
| 55 | 213073 | | | Washer, Double Brace |
| 56 | 213100 | | Not Available | PART NOT USED |
| 57 | 213120 | 216416 | | Bolt, Eye/Centering Spring |
| 58 | 213121 | 3400111 | | Screw, 12-14 X 5/8 |
| 59 | 214956 | | | Motor Mount Assembly |
| 60 | 215098 | | | Shield, Motor |
| 61 | 215279 | 22003410 | | Hose, Drain |
| 62 | Y302699 | 22003428 | | Leg, Adjustable |
| 63 | Y311426 | 3400029 | | Nut, Adapter Plate |