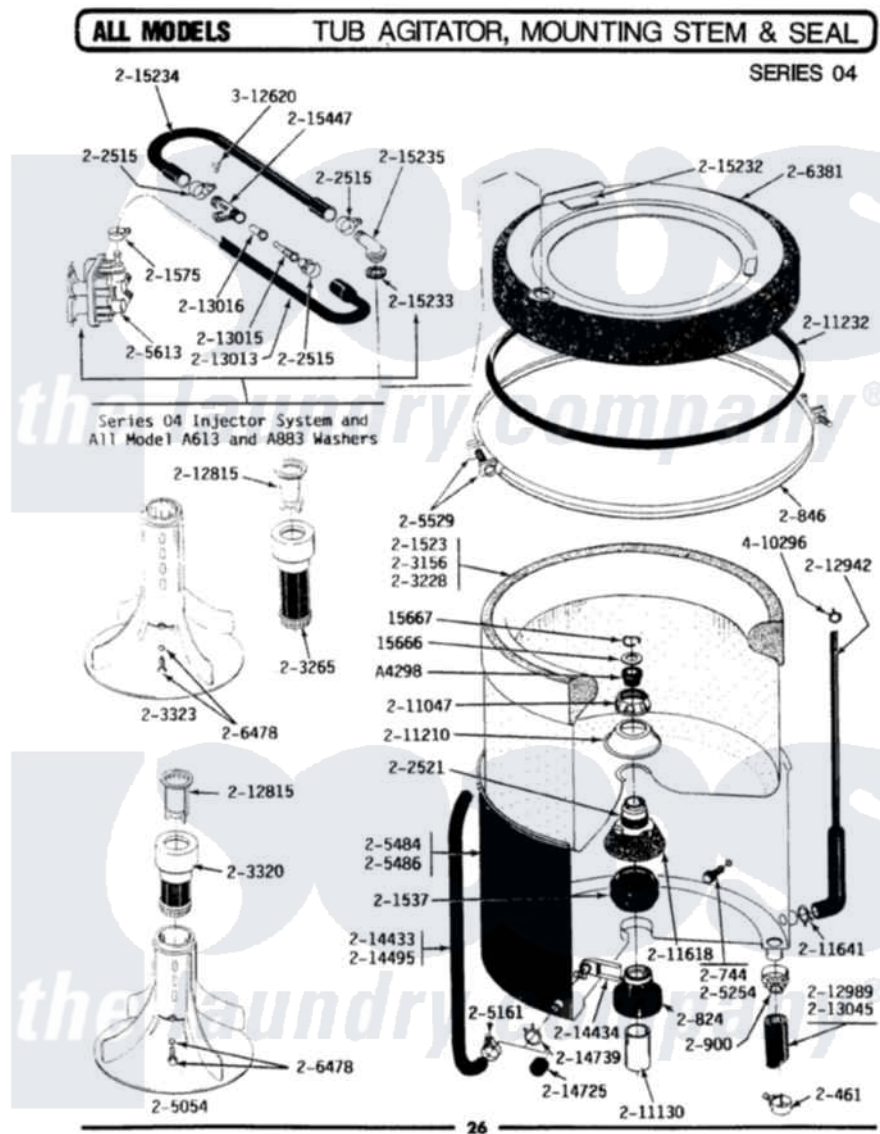


Maytag A212S 10 - TUB, AGITATOR, MTG. STEM & SEAL (SER 04)



Maytag Residential Maytag A212S Washer Parts Parts Diagram 10 - TUB, AGITATOR, MTG. STEM & SEAL (SER 04)
 Click on the part number to view part

Item	Original Part Number	Replaced By	Status	Part Description
1	A04298		Not Available	SEAL, AGITATOR DRIVE SHAFT
2	Y015666			Washer, Retaining -
3	Y015667			Retaining Ring
NI	Y054867			Washer, Lock
5	200744	W10175939		Bolt
6	200824	6-2040130		Tub Bearin
7	200846			Clamp - Tub Cover
8	200900	616099		Clamp
10	201537	6-2095720		Mounting S
11	201575			Clamp, Hose
12	202515	596669		Clamp, Manifold
13	202521	6-2095720		Mounting S
NI	204012	6-2095720		Mounting S
"	204013	6-2040130		Tub Bearin
22	205161	489503		Clamp
23	205254	W10175938		Bolt

25	205486		Not Available	PART NOT USED
26	205529			Nut And Bolt Kit For Tub Clam
27	205613			Water Valve
28	206381		Not Available	TUB COVER
29	206478		Not Available	SCREW & WASHER FOR AGITATOR
NI	206683	206680		Water Injector Assembly
31	211047	6-2110472		Nut- Clamp
NI	211100			Washer, Outer Tub
33	211130			Bearing Liner, Tub Bearing
34	211210			Washer, Clamping Nut
35	211232			Seal, Tub Cover
36	211618	22001423		Set Screw, Mounting Stem
37	211641			Clamp, 1-1/16"
38	212815		Not Available	DISPENSER CUP
39	212942	22001619		Tube, Water Level Switch
41	213013			Hose, Injector
42	213015			Nozzle, Injector
43	213016	216201		Nozzle
44	214434			Spout, Deflector
45	213057	22213057		Sleeve- In
46	214725			Cap For Spout-Outer Tub
"	214434			Spout, Deflector
47	214739	596669		Clamp, Manifold
NI	214875	285655		Clamp, Hose
49	215232			Bumper, Unbalance
50	215233			Seal For Injector Tube
51	Y215234			Hose, Injector Fill
52	215235			Tube, Injector
53	215447			Sleeve For Injector
NI	Y310632	1163839		Screw
55	312620			Screw, Sems
56	410296	596669		Clamp, Manifold

