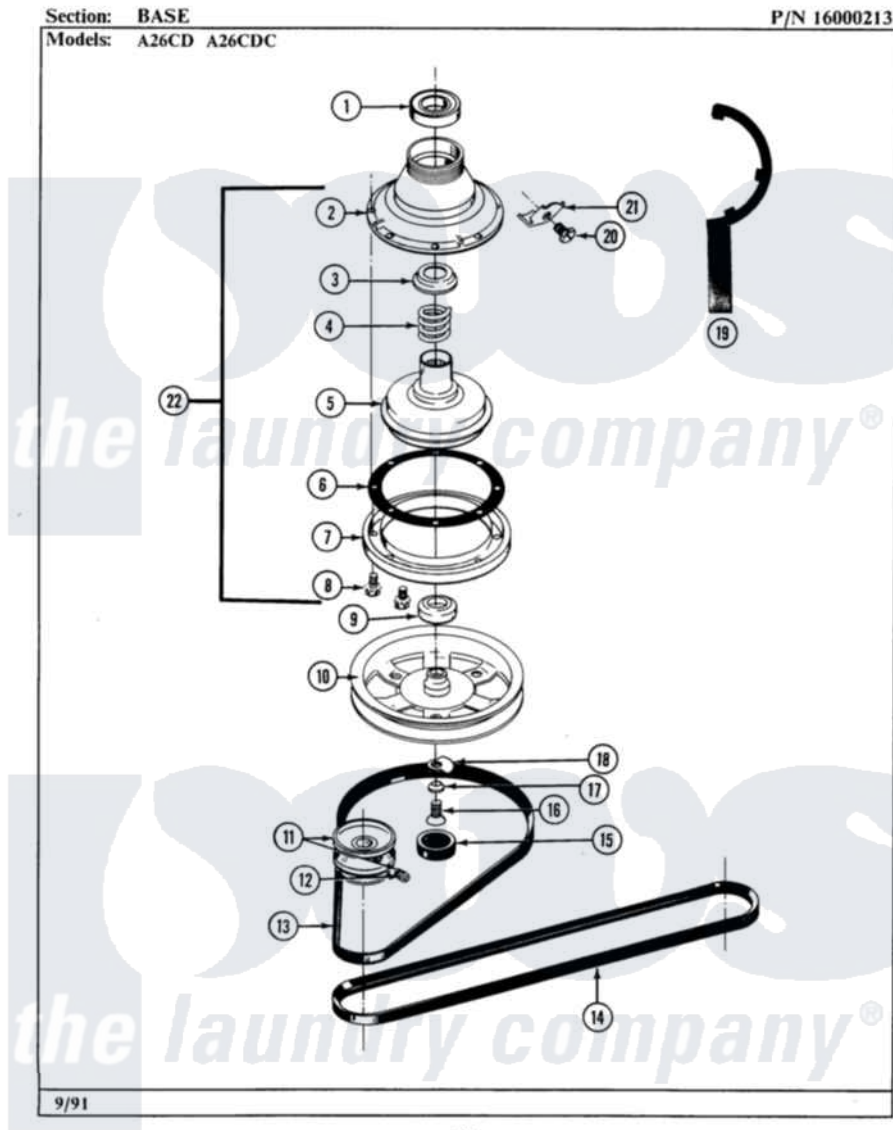


# Maytag A26CDC 09 - CLUTCH, BRAKE & BELTS



18

Maytag Residential Maytag A26CDC Washer Parts Parts Diagram 09 - CLUTCH, BRAKE & BELTS  
Click on the part number to view part

Item	Original Part Number	Replaced By	Status	Part Description
001	Y200720	<a href="#">22003441</a>		Bearing, Rear
002	211045	<a href="#">6-2011900</a>		Brake Asse
003	211039	<a href="#">6-2011900</a>		Brake Asse
004	211041	<a href="#">6-2011900</a>		Brake Asse
005	201126	<a href="#">6-2011900</a>		Brake Asse
006	211042	<a href="#">6-2011900</a>		Brake Asse
007	211043	<a href="#">6-2011900</a>		Brake Asse
008	211000			SCREW, BRAKE DRUM (HEX HEAD)
009	<a href="#">200835</a>			Bearing, Brake Rotor
010	211059	<a href="#">6-2301530</a>		Pulley
011	200816	<a href="#">6-2008160</a>		Pulley- MO
012	<a href="#">Y053241</a>			Set Screw, Motor Pulley
013	<a href="#">211125</a>			V Belt, Drive Pulley
014	<a href="#">211124</a>			Part Not Used
015	NLA		Not Available	CAP, OIL RETAINER
016	211375	<a href="#">681582</a>		Screw

017	211090	<a href="#">22003555</a>	Washer, Stop Lug
018	<a href="#">211089</a>		Lug, Stop Pulley
019	Y038315	<a href="#">038315</a>	Tool
020	<a href="#">213326</a>		Bolt, Sems Retaining Clip
021	<a href="#">213325</a>		Clip, Retaining
022	201190	<a href="#">6-2011900</a>	Brake Asse

