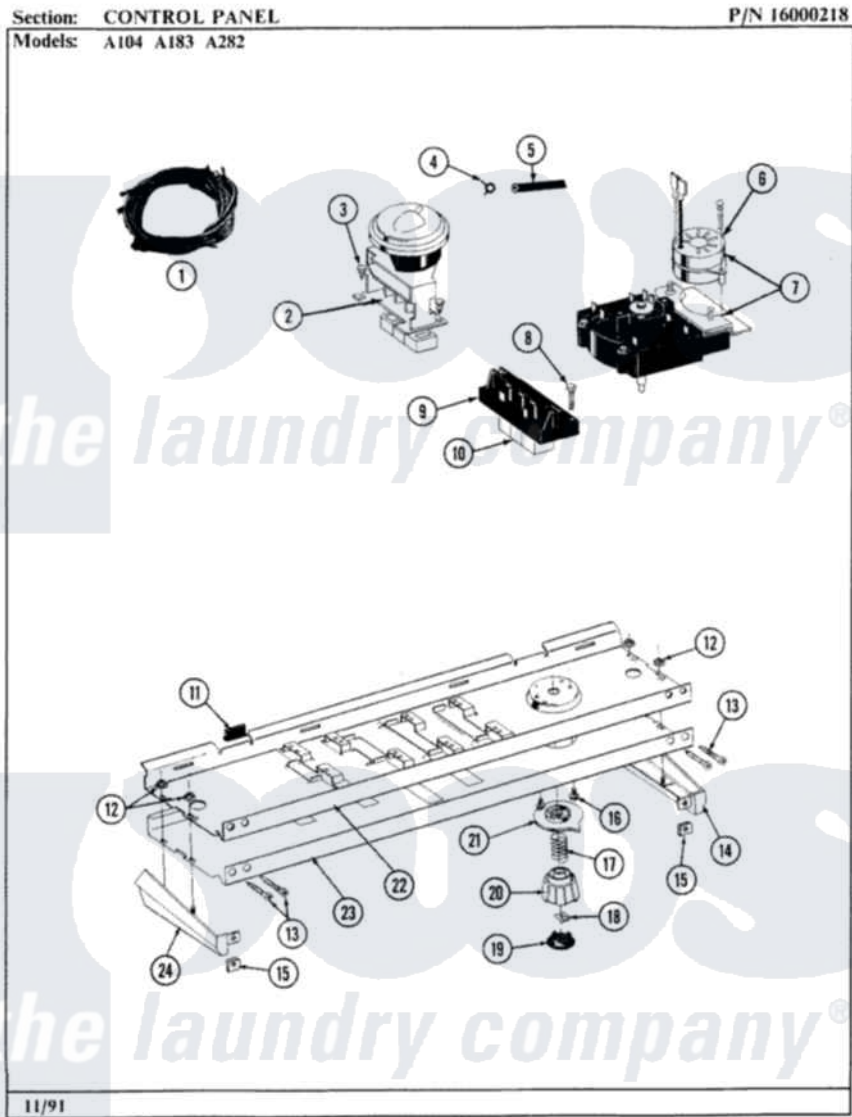


# Maytag A282 04 - CONTROL PANEL



2

Maytag Residential Maytag A282 Washer Parts Parts Diagram 04 - CONTROL PANEL  
Click on the part number to view part

Item	Original Part Number	Replaced By	Status	Part Description
1	<a href="#">206231</a>			Wire Harness
2	206221		Not Available	WATER LEVEL SWITCH---NA
3	211168	<a href="#">W10139210</a>		Screw, 8-18 X 5/16
4	410296	<a href="#">596669</a>		Clamp, Manifold
5	212942	<a href="#">22001619</a>		Tube, Water Level Switch
6	205410		Not Available	TIMER MOTOR 120-60
7	<a href="#">206230</a>			Timer
8	213117	<a href="#">67006908</a>		Screw, Ice Rack
9	<a href="#">206216</a>			Water Temperature Switch
10	<a href="#">215211</a>			Button For Switch
11	<a href="#">214897</a>			Pad, Control Panel
12	<a href="#">214872</a>			Palnut, End Cap Note: Nut, Lamp Holder
13	<a href="#">210932</a>			Screw, No.8 X 9/16 Ctsk Note: Screw, Inlet Duct
14	<a href="#">214816</a>			End Cap F/Control Panel-RH

15	<a href="#">214894</a>		Fastener, End Cap
16	213966	<a href="#">3400014</a>	Screw
17	<a href="#">211065</a>		Spring, Index Wheel
18	<a href="#">211605</a>		Bezel, Timer Dial
19	215163	Not Available	CAP FOR KNOB
20	<a href="#">215162</a>		Timer Knob
21	215161	<a href="#">22001571</a>	Bezel, Timer Dial
22	<a href="#">214818</a>		Back Up Plate
23	206753	Not Available	CONTROL PANEL
24	<a href="#">214815</a>		End Cap F/Control Panel-LH

