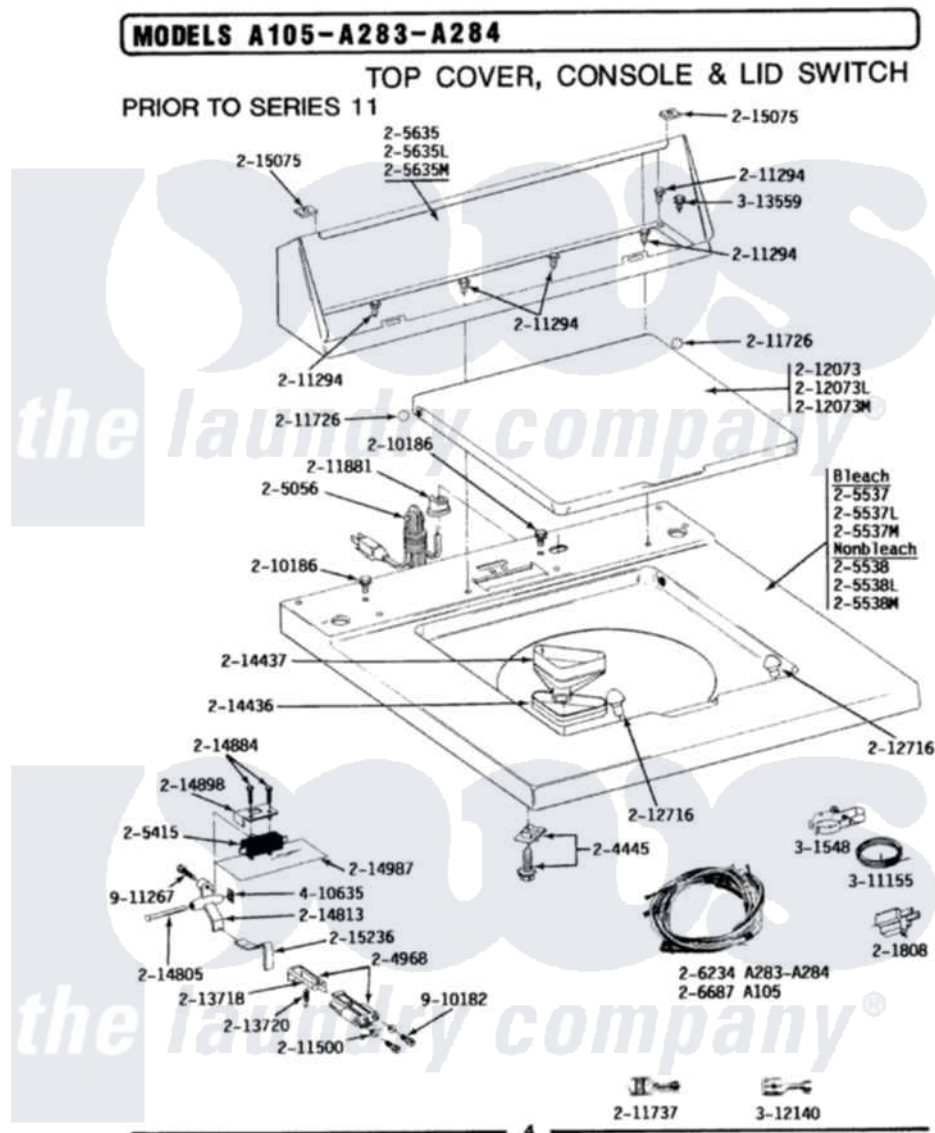


Maytag A283 06 - TOP COVER, CONSOLE & LID SWITCH



Maytag [Residential Maytag A283 Washer Parts](#) Parts Diagram 06 - TOP COVER, CONSOLE & LID SWITCH
 Click on the part number to view part

Item	Original Part Number	Replaced By	Status	Part Description
1	Y201808			Converter
2	204445			Screw And Fastener Assembly
3	204968			Plunger And Bracket Assembly--W
4	205056	204590		Cord, Power
5	205415	279347		Switch-Lid
6	205538		Not Available	TOP COVER-WHITE
9	205635			Console
12	206234		Not Available	WIRE HARNESS
13	210186	3370225		Screw
14	211294	90767		Screw, 8A X 3/8 HeX Washer Head Tapping
15	211500			Washer, Bracket To Top Cover
16	211726			Hinge, Ball Lid
17	211737	248562		Terminal
18	211881			Grommet, Cord Part Not Used-Gas Models Only

19	212073		LID (WHITE)
37	212716		Bumper, Lid
38	213718		Plunger, Lid Switch
NI	213720		Spring, Lid Switch
"	214805		Pin For Unbalance Lever
"	214813	Not Available	LEVER FOR LID SWITCH
"	214884	213501	Screw, No.6-20 X 1-1/8 Inch
"	214898		Cover For Lid Switch
"	215075		Fastener, Control Panel To Console
"	215236	214804	Unbalance Lever
"	214987		Moisture Barrier For Switch
"	301548		Clamp, Ground Wire
"	311155		Ground Wire And Clamp
"	Y312140		Wire Connector
"	Y313559		Screw
"	410635		Fastener
"	910182	25-7809	Screw, No.6-20 1/2 Flthd Torx
"	911267		Screw, Pump Cover

