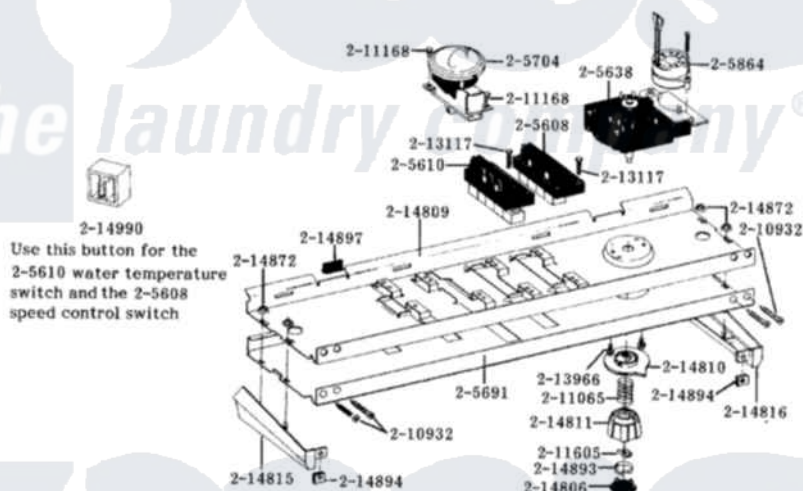
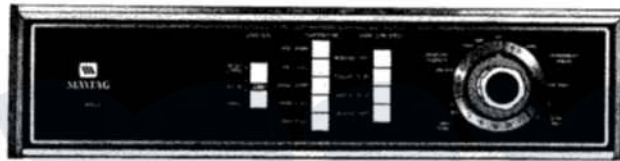


Maytag A410 05 - CONTROL PANEL, TIMER & SWITCHES (A410)

MODEL A410 CONTROL PANEL, TIMER & SWITCHES

A410



2-14990
Use this button for the 2-5610 water temperature switch and the 2-5608 speed control switch

- 2-5608 Speed control switch
- 2-5610 Water temperature switch
- 2-5638 Timer
- 2-5691 Control panel
- 2-5704 Infinite water level control switch
- 2-5864 Timer motor
- 2-10932 Screw - control panel to console and end caps to support plate - 4 used
- 2-11065 Spring for timer knob
- 2-11168 Screw - infinite water level control switch to back-up plate - 2 used
- 2-11605 Retaining clip - knob to timer
- 2-13117 Screw - water temperature switch and speed control switch to back-up plate - 2 used

- 2-13966 Screw - timer to back-up plate - 2 used
- 2-14806 Cap for timer knob
- 2-14809 Back-up plate
- 2-14810 Timer dial indicator
- 2-14811 Knob for timer
- 2-14815 End cap for control panel - L.H.
- 2-14816 End cap for control panel - R.H.
- 2-14872 Nut - end caps to back-up plate - 4 used
- 2-14893 Detent ring for timer knob cap
- 2-14894 Fastener - end caps to support plate - 2 used
- 2-14897 Cushion pad for control panel - 2 used

547 6

Maytag Residential Maytag A410 Washer Parts Parts Diagram 05 - CONTROL PANEL, TIMER & SWITCHES (A410)
Click on the part number to view part

Item	Original Part Number	Replaced By	Status	Part Description
1	205608		Not Available	SPEED CONTROL SWITCH
2	205610			Water Temperature Switch
3	205638			Timer
4	205691		Not Available	CONTROL PANEL
5	205704			Infinite Water Level Contro
6	205864		Not Available	TIMER MOTOR 120-60
7	210932			Screw, No.8 X 9/16 Ctsk Note: Screw, Inlet Duct
8	211065			Spring, Index Wheel
9	211168	W10139210		Screw, 8-18 X 5/16
10	211605			Bezel, Timer Dial
11	213117	67006908		Screw, Ice Rack
12	213966	3400014		Screw
13	214806		Not Available	CAP FOR TIMER KNOB
14	214809			Back Up Plate
15	214810	22001571		Bezel, Timer Dial
16	214811			Knob For Timer

17	214815		End Cap F/Control Panel-LH
18	214816		End Cap F/Control Panel-RH
19	214872		Palnut, End Cap Note: Nut, Lamp Holder
20	214893	Not Available	DETENT RING F/TIMER KNOB CA
21	214894		Fastener, End Cap
22	214897		Pad, Control Panel

