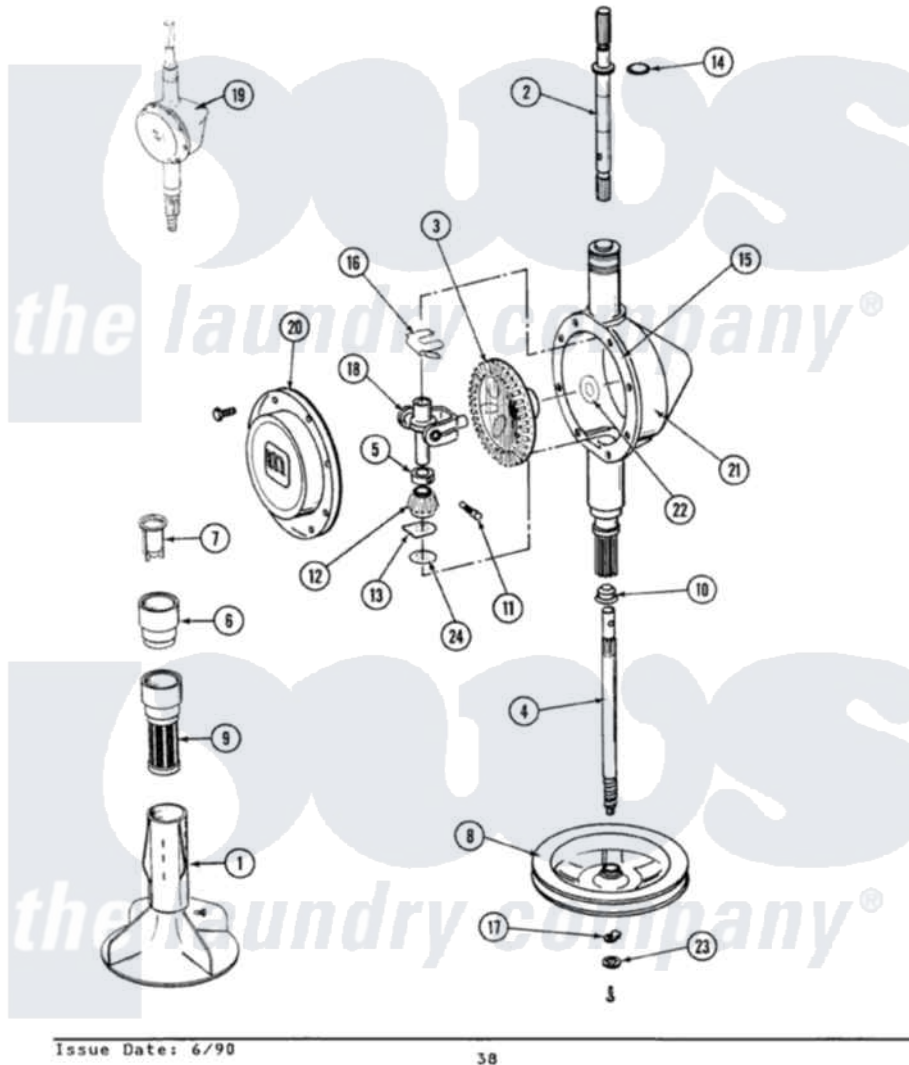


Maytag A5000 05 - ORBITAL TRANSMISSION

SECTION: ORBITAL TRANSMISSION
MODEL: ALL MODELS



Issue Date: 6/90

38

Maytag [Residential Maytag A5000 Washer Parts](#) Parts Diagram 05 - ORBITAL TRANSMISSION
Click on the part number to view part

| Item | Original Part Number | Replaced By | Status | Part Description |
|------|-------------------------|---------------------------|---------------|----------------------------------|
| 1 | 206478 | | Not Available | SCREW & WASHER FOR AGITATOR |
| " | 207538 | | | Agitator W/Lock Screw |
| 2 | 207153 | 6-2097820 | | Kit- Shaft |
| 3 | 206713 | 6-2067130 | | Gear- Beve |
| 4 | 215411 | 12001451 | | Ctr Shaft W/Collar Andkeeper-Sha |
| 5 | 215415 | | Not Available | COLLAR, LOWER |
| 6 | 215721 | | | Dispensing Cap |
| 7 | 215733 | | | Dispensing Cup |
| 8 | 211059 | 6-2301530 | | Pulley |
| 9 | Y207427 | | | Lint Filter Shallow |
| 10 | 206602 | 207843 | | Lip Seal Repair Kit |
| 11 | Y206629 | | | Pin, Collar |
| 12 | 215401 | W10221114 | | Pinion |
| 13 | 215395 | | | Plate, Clutch |
| 14 | 210690 | | | Seal, Rubber |

| | | | |
|----|------------------------|---------------------------|---------------------------|
| 15 | Y058700 | 675652 | Adhesive |
| 16 | 215581 | | Spring, Agitator Shaft |
| 17 | 211375 | 681582 | Screw |
| " | 211089 | | Lug, Stop Pulley |
| 18 | 206685 | 6-2066850 | Yoke |
| 19 | 206708 | 6-2097790 | Transmison |
| 20 | 206628 | | Cover, Transmission |
| " | 215417 | Not Available | SCREW, TRANSMISSION COVER |
| 21 | 206625 | 6-2097790 | Transmison |
| 22 | 215394 | | Washer, Bevel Gear |
| 23 | 211090 | 22003555 | Washer, Stop Lug |
| 24 | 211483 | 6-2114830 | Washer- SP |

the laundry company[®]

the laundry company[®]

the laundry company[®]