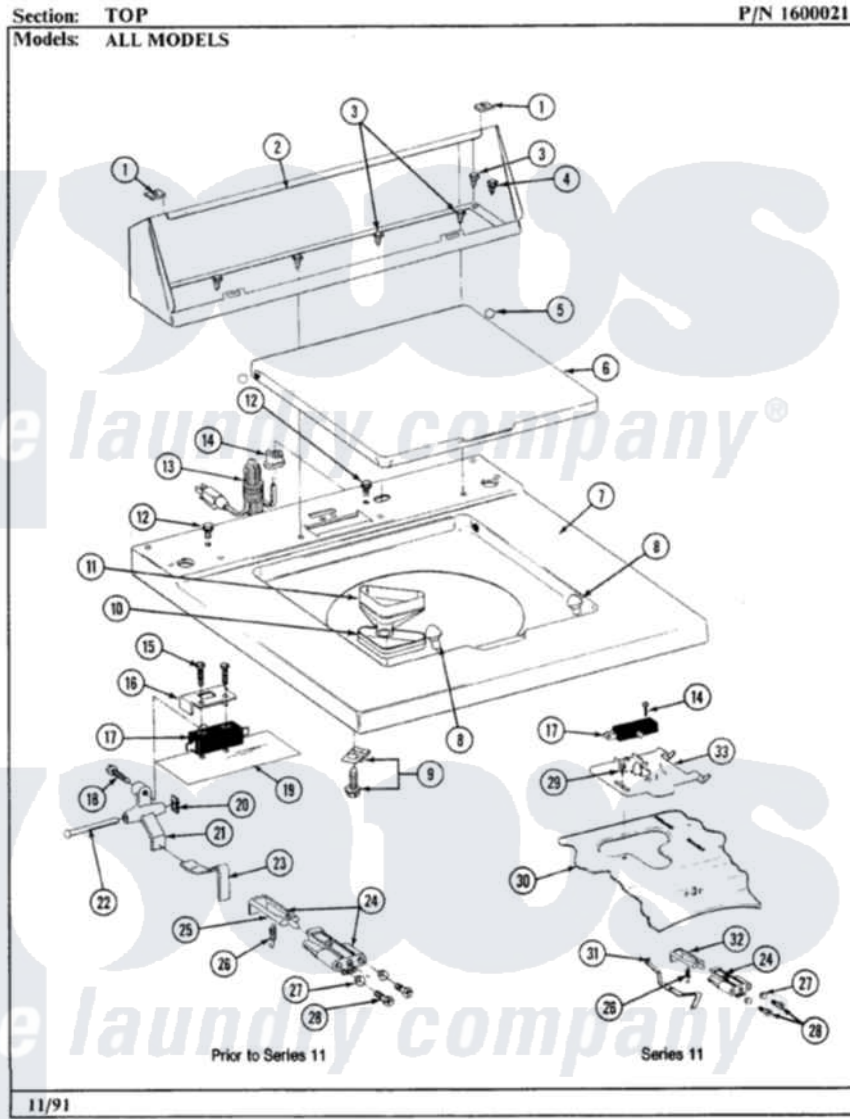


Maytag A590 06 - TOP ASSY.



12

Maytag [Residential Maytag A590 Washer Parts](#) Parts Diagram 06 - TOP ASSY.
Click on the part number to view part

| Item | Original Part Number | Replaced By | Status | Part Description |
|------|------------------------|-------------------------|--------|---|
| 1 | 215075 | | | Fastener, Control Panel To Console |
| 2 | 205635 | | | Console |
| 3 | 211294 | 90767 | | Screw, 8A X 3/8 HeX Washer Head Tapping |
| 4 | 313551 | 31-3551 | | Dw Minimanu |
| 5 | 211726 | | | Hinge, Ball Lid |
| 6 | 212073 | | | LID (WHITE) |
| 7 | 205537 | | | Top Cover-White |
| 8 | 212716 | | | Bumper, Lid |
| 9 | 204445 | | | Screw And Fastener Assembly |
| 10 | 214436 | | | Gasket |
| 11 | 214437 | 215577 | | Bleach Inlet White |
| 12 | 210186 | 3370225 | | Screw |
| 13 | 204590 | | | Cord, Power |
| 14 | 211881 | | | Grommet, Cord Part Not Used-Gas Models Only |

| | | | |
|----|------------------------|--------------------------|---------------------------------|
| 15 | 213501 | | Screw, No.6-20 X 1-1/8 Inch |
| 16 | 214898 | | Cover For Lid Switch |
| 17 | 205415 | 279347 | Switch-Lid |
| 18 | 911267 | | Screw, Pump Cover |
| 19 | 214987 | | Moisture Barrier For Switch |
| 20 | 410635 | | Fastener |
| 21 | 214813 | Not Available | LEVER FOR LID SWITCH |
| 22 | 214805 | | Pin For Unbalance Lever |
| 23 | 215236 | 214804 | Unbalance Lever |
| 24 | 204968 | | Plunger And Bracket Assembly--W |
| 25 | 213718 | | Plunger, Lid Switch |
| 26 | 213720 | | Spring, Lid Switch |
| 27 | 211500 | | Washer, Bracket To Top Cover |
| 28 | 910182 | 25-7809 | Screw, No.6-20 1/2 Flthd Torx |
| 29 | 207159 | 489355 | Screw, 8 X 1/2 |
| 30 | 207170 | | Top Cover |
| 31 | 215704 | | Lever, Unbalance |
| 32 | 215700 | Not Available | LID SWITCH PLUNGER |
| 33 | Y215699 | 22001678 | Bracket, Switch And Fuse |

