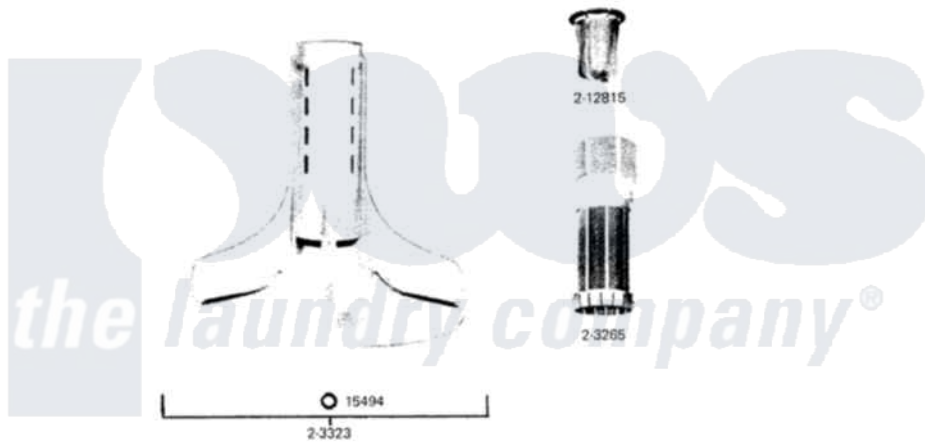
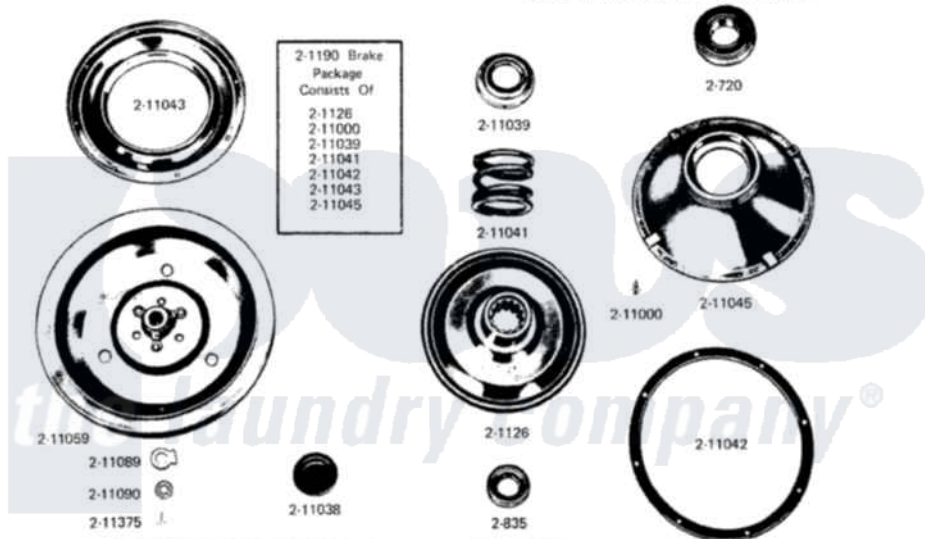


AGITATOR & ACCESSORIES



BRAKE & CLUTCH ASSEMBLY



Copyright 1976 THE MAYTAG COMPANY • Newton, Iowa • Printed in U.S.A.

Maytag Residential Maytag A608S Washer Parts Parts Diagram 03 - BRAKE & CLUTCH ASSEMBLY

Click on the part number to view part

Item	Original Part Number	Replaced By	Status	Part Description
1	Y200720	<a href="#">22003441</a>		Bearing, Rear
2	<a href="#">200835</a>			Bearing, Brake Rotor
3	201126	<a href="#">6-2011900</a>		Brake Asse
4	201190	<a href="#">6-2011900</a>		Brake Asse
5	211000			SCREW, BRAKE DRUM (HEX HEAD)
6	211038		Not Available	CAP, OIL RETAINER
7	211039	<a href="#">6-2011900</a>		Brake Asse
8	211041	<a href="#">6-2011900</a>		Brake Asse
9	211042	<a href="#">6-2011900</a>		Brake Asse
10	211043	<a href="#">6-2011900</a>		Brake Asse
11	211045	<a href="#">6-2011900</a>		Brake Asse
12	211059	<a href="#">6-2301530</a>		Pulley
13	<a href="#">211089</a>			Lug, Stop Pulley
14	211090	<a href="#">22003555</a>		Washer, Stop Lug
15	211375	<a href="#">681582</a>		Screw