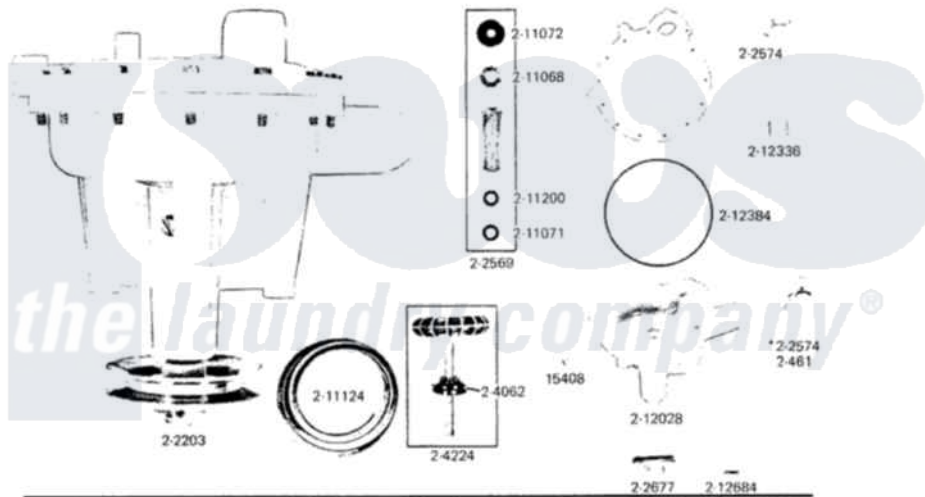
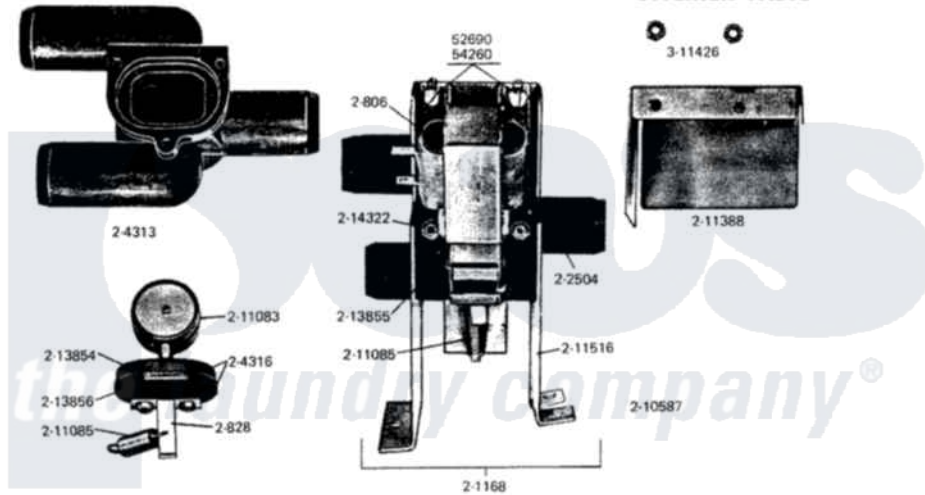


'POLY' PUMP



DIVERTER VALVE



Copyright 1976 THE MAYTAG COMPANY • Newton, Iowa • Printed In U.S.A.

[Maytag Residential Maytag A608S Washer Parts](#) Parts Diagram 10 - 'POLY' PUMP

[Click on the part number to view part](#)

Item	Original Part Number	Replaced By	Status	Part Description
1	Y015408	<a href="#">22003235</a>		Screw, Bearing Insert
2	Y055977			TURBINE OIL, 4 OZ.
3	202203	<a href="#">6-2022030</a>		Pump As Pa
4	202569		Not Available	PUMP BEARING KIT
5	202574	<a href="#">3367052</a>		Clamp, Hose
6	202677		Not Available	PUMP PULLEY WITH PIN
7	<a href="#">204062</a>			Seal For Impeller
8	<a href="#">204224</a>			Impeller And Seal Assembly
9	<a href="#">211068</a>			Wicking-Top
10	211071		Not Available	OIL SLINGER-BOTTOM
11	<a href="#">211072</a>			Oil And Water Slinger-Top
12	<a href="#">211124</a>			Part Not Used
13	211200			WASHER
14	212028		Not Available	PUMP HOUSING, POLY
15	212336		Not Available	SCREW, No.8 X 3/4 INCH
16	<a href="#">212384</a>			Gasket For Poly Pump

